

Copies of this document may be purchased from:  
Global Engineering, 15 Inverness Way East,  
Englewood, CO 80112-5704  
Phone: (800) 854-7179 or (303) 792-2181 Fax: (303) 792-2192

INCITS 364-2002  
T11/Project 1413-D/Rev 4.0

# FIBRE CHANNEL

**10 Gigabit  
(10GFC)**

**REV 4.0**

INCITS working draft proposed  
American National Standard  
for Information Technology

April 1, 2004

Secretariat: Information Technology Industry Council

**NOTE:**

This is a working draft American National Standard of Accredited Standards Committee INCITS. As such this is not a completed standard. The T11 Technical Committee or anyone else may modify this document as a result of comments received anytime, or during a future public review and its eventual approval as a Standard. Use of the information contained herein is at your own risk.

Permission is granted to members of INCITS, its technical committees, and their associated task groups to reproduce this document for the purposes of INCITS standardization activities without further permission, provided this notice is included. All other rights are reserved. Any duplication of this document for commercial or for-profit use is strictly prohibited.

**POINTS OF CONTACT:**

**Robert Snively (T11 Chair)**  
Brocade Communications Systems, Inc.  
1745 Technology Drive  
San Jose, CA 95110  
Voice: (408) 487-8135  
Fax: (408) 487-8101  
EMail: [rsnively@brocade.com](mailto:rsnively@brocade.com)

**Edward Grivna (T11 Vice Chair)**  
Cypress Semiconductor  
2401 East 86th Street  
Bloomington, MN 55425  
Voice: (612) 851-5046  
Fax: (612) 851-5087  
E-Mail: [elg@cypress.com](mailto:elg@cypress.com)

**Curtis A. Ridgeway (Facilitator)**  
LSI Logic Corporation  
1551 McCarthy Blvd.  
Milpitas, CA 95035  
Voice: (408) 433-7792  
Fax: (408) 954-4764  
E-mail: [curtr@lsil.com](mailto:curtr@lsil.com)

**Richard Taborek Sr. (Technical Editor)**  
Tartan Technologies  
Campbell, CA 95008  
Voice: (408) 832-3957  
Fax: (408) 374-3645  
E-mail: [rtaborek@earthlink.net](mailto:rtaborek@earthlink.net)

|  |                                |
|--|--------------------------------|
| Release Notes for revision 0.1: Below is a summary of the work done to create this revision.   | 1                              |
| – None. First release of document as a template for accepted 10GFC proposals.  | 2                              |
| – Baseline proposals based on work in development in IEEE P802.3ae (10 Gigabit Ethernet standards project and document) will be directly referenced by 10GFC clauses in the interest of expediency and to prevent errors due to duplicate specifications. It is anticipated that the schedule of the 10 GFC project will allow such direct reference and that the 802.3ae standard will be published prior to the publication of the 10GFC document. | 3<br>4<br>5<br>6<br>7          |
| – It is anticipated that the 10GFC extensions to proposals being developed in IEEE P802.3ae will be reserved as such in P802.3ae drafts as well as the published standard. Formal liaisons between INCITS T11 and IEEE 802.3 are currently in place and a formal request for 10GFC extension documentation in P802.3ae drafts is being drafted by the joint T11.2/T11.3 meeting chair, Mr. Robert Snively, on behalf of the 10GFC project.           | 8<br>9<br>10<br>11<br>12<br>13 |
| Release Notes for revision 1.0: Below is a summary of the work done to the prior revision (0.1) to create this revision.   | 14<br>15                       |
| – Solicited and included contributions from clause editors.  | 16                             |
| – Added 8B/10B Clause 17 to describe the usage of 8B/10B physical coding and media attachment associates with the XAUI and four lane physical variants.  | 17<br>18                       |
| – Added WIS Clause 22 per motion at the February, 2001 T11 10GFC meeting.  | 19<br>20                       |
| Release Notes for revision 1.1: Below is a summary of the work done to the prior revision (1.0) to create this revision.   | 21<br>22                       |
| – Updated Clause 6, optical interface, 850 nm parallel (4-lane), per input from clause editors Dubravko Babic, Alvesta, and Deepak Patel, Stratos Lightwave.   | 23<br>24                       |
| – Updated Clause 8 per input from Len Young, Corning and Terry Cobb, Lucent.   | 25                             |
| – Updated Clause 9 per input from Michael Karg, Madison Cable and Ken Lazaris-Brunner, Gennum.   | 26<br>27                       |
| – Updated Clause 10 per input from Michael Karg, Madison Cable and Bob Thornton, Fujitsu.  | 28                             |
| – Deleted Clause 11, Loopback mode, as being too general per discussion at the April, 2001 10GFC meeting. This clause was essentially identical to the corresponding clause in FC-PH.  | 29<br>30                       |
| – Deleted Clause 12, Diagnostic mode, as being too general per discussion at the April, 2001 10GFC meeting. This clause was essentially identical to the corresponding clause in FC-PH.  | 31<br>32                       |
| – Deleted Clause 13, Transmitter safety, as being too general per discussion at the April, 2001 10GFC meeting. This clause was essentially identical to the corresponding clause in FC-PH.   | 33<br>34                       |
| – Updated Clause 17 per input from Osamu Ishida, NTT.  | 35<br>36                       |
| Release Notes for revision 1.9: Below is a summary of the work done to the prior revision (1.1) to create this revision.   | 37<br>38                       |
| – Updated subclause 6.1, Optical Interface, 850 nm parallel (4-lane), and per input from clause editors Dubravko Babic, Alvesta, and Tom Lindsay, Stratos Lightwave.   | 39<br>40                       |
| – Updated subclause 6.3, Optical Interface, 850 nm CWDM (4-lane), and per input from clause editors Bill Weidemann, Blaze Network Products.  | 41<br>42                       |
| – Updated Clause 8 and Annex A, Optical Cable Plant, per input from Len Young, Corning.  | 43                             |
| – Updated Clause 11, Ordered Sets per input from Craig Stuber, JNI and Curt Ridgeway, LSI Logic.   | 44<br>45                       |
| – Updated Clause 17, Link Signaling Sublayer, per input from Osamu Ishida, NTT.  | 46<br>47                       |
| Release Notes for revision 1.91: Below is a summary of the work done to the prior revision (1.9) to create this revision.  | 48<br>49                       |
| – Updated subclause 7, Optical Interface Receptacle Specification, per input from clause editor Kevin White, USConnec. Inadvertently left out of revision 1.9.   | 50<br>51                       |
| – Updated Clause 8 to insert missing figure 41.  | 52<br>53<br>54<br>55           |

1 Release Notes for revision 1.99: Below is a summary of the work done to the prior revision (1.91) to  
2 create this revision.

- 3 – Updated clauses with resolution of T11.2 and T11.3 letter ballot comments to revision 1.1  
4

5 Release Notes for revision 2.0: Below is a summary of the work done to the prior revision (1.99) to  
6 create this revision.

- 7 – Updated clauses with resolution of T11.2 and T11.3 letter ballot comments to revision 1.1;  
8 – Deleted Electrical interface specification clause (9) per December, 2001 T11 motion;  
9 – Deleted Electrical cable and connector specification clause (10) per December, 2001 T11 mo-  
10 tion;  
11 – Renamed Ordered Set clause (11) to FC-1;  
12 – Deleted Link signaling sublayer (LSS) clause (17) per December, 2001 T11 motion;  
13 – Deleted WAN interface sublayer (WIS) clause (19) per December, 2001 T11 motion.  
14

15 Release Notes for revision 2.1: Updated clauses with resolution of T11 letter ballot comments to revi-  
16 sion 2.0;

17 Release Notes for revision 3.0: Updated clauses with further resolution of T11 letter ballot comments  
18 to revision 2.0;

19 Release Notes for revision 3.1:

- 21 – Corrected front matter for First Public Review;  
22 – Changed all NCITS to INCITS;  
23 – Changed Ed Grivna to Edward Grivna on cover to match Foreword;  
24 – Filled out T11 membership list in Foreword;  
25 – Deleted empty T11.2 membership list in Foreword;  
26 – Deleted empty T11.3 membership list in Foreword;  
27 – Deleted update needed note at the beginning of the Introduction section;  
28 – Added Doug Coleman to clause editors list in Introduction;  
29 – Corrected inadvertent red table text in clause 8 to black;  
30 – Added the following text to the end of 4.2.2 to address Agilent additional comment issue #1: “Ar-  
31 bitrated loop functions defined in FC-AL-2 are not supported and outside the scope of this spec-  
32 ification. Potential FC-AL-2 ordered set mapping, translations and related topics are provided in  
33 annex C for future reference.”  
34 – Updated Cover point of contact information.  
35

36 Release Notes for revision 3.2:

- 37 – Resolution of INCITS First Public Review comments;  
38 – Editor correction of spelling, grammar and document style.  
39

40 Release Notes for revision 3.3:

- 41 – Resolution of INCITS Second Public Review comments:  
42 – Changed all FC-PH references ANSI X3.230:1994 to ANSI INCITS 230-1994 (1999);  
43 – Changed all FC-AL-2 references ANSI INCITS 332:1999 to ANSI INCITS 332-1999;  
44 – Changed all FC-PI references ANSI INCITS 352:200x to ANSI INCITS 352-2002 and moved  
45 listing to Approved References;  
46 – Aligned all cross references to 10GbE to “10GbE [12]”;  
47 – Changed the nomenclature for the first three PMDs listed at the beginning of Clause 6 to “1200-  
48 MX-...” as M5 refers distinctly to 50 micron, whereas these PMD descriptions are intended to be  
49 more general here;  
50 – Changed PMD reference in 6.1.5.3 to 10GASE-LX4 as 10GBASE-SR does not specify jitter;  
51 – Changed PMD all references in 6.1.5.4 to 10GASE-LX4 as 10GBASE-SR does not specify jit-  
52 ter;  
53 – Changed the 10GbE referenced test at the end of 6.1.5.3 to “Stressed receiver conformance  
54 test”;  
55

- Modified the current revision level of the reference document to TIA-568B in 6.1.7.3; 1
- Deleted the last sentence in 6.3.5 as Rx specs are in OMA; 2
- Changed Table 16, column 50 $\mu$ m MF 2000 MHz•km, row: Stressed Rx sensitivity to 64,0 (-11,9) 3  
 $\mu$ W (dBm) (per T11/02-506v2); 4
- Changed Table 16, column 50 $\mu$ m MF 2000 MHz•km, row: Vertical eye closure penalty to 2,3 dB 5  
(per T11/02-506v2); 6
- Inserted “OMA” into the row descriptors for Rx sensitivity and Stressed Rx sensitivity in Table 7  
16; 8
- Changed the last sentence in 6.5.2 to read: “For 10GFC system testing that requires a long or 9  
mixed pattern, the test pattern defined in Annex E should be used; for component testing, test 10  
pattern(s) defined for 10GBASE-LX4 in 10GbE [12] or in Annex E may be used as appropri- 11  
ate.”; 12
- Deleted the first sentence in 8.2.2 as this subclause is relevant to all PMDs, not just the one in 13  
the first sentence; 14
- Replaced text in 8.2.2 inadvertently deleted during the resolution of First Public Review com- 15  
ments; 16
- Delete the second sentence of the second paragraph of 8.3.1. This sentence was no longer 17  
quite true, as the loss budget is based on nominal wavelength, but the other values are based 18  
on worst-case wavelength; 19
- Changed Table 18, column: 1200-M5-SN4P-I, row: Channel insertion loss to 2,0 dB (per 20  
T11/02-505v1); 21
- Changed Table 18, column: 1200-SM-LL-L, row: Allocation for penalties to 3,4 dB (per T11/02- 22  
504v1); 23
- Changed Table 19, column: 1200-M5E-SN4-I, row: Allocation for penalties to 3,7 dB (per 24  
T11/02-505v1); 25
- Changed Table 19, column: 1200-M5E-SN4-I, row: Additional insertion loss allowed to 0,3 dB 26  
(per T11/02-505v1); 27
- Changed Table 19, column: 1200-SM-LC4-L, row: Allocation for penalties to 2,0 dB (per 28  
T11/02-506v2); 29
- Changed Table 19, column: 1200-SM-LC4-L, row: Additional insertion loss allowed to 0,0 dB 30  
(per T11/02-506v2); 31
- Changed Table A.1, column: 1200-M6-SN-I, row: Allocation for penalties to 4,5 dB (per T11/02- 32  
504v1); 33
- Changed Table A.1, column: 1200-SM-LL-L, row: Allocation for penalties to 3,3 dB (per T11/02- 34  
504v1); 35
- Changed Table A.1, column: 1200-M6-SN4P-I, row: Additional insertion loss allowed to 0,0 dB 36  
(per T11/02-505v1); 37
- Changed Table A.2, column: 1200-M5E-SN4-I, row: Allocation for penalties to 3,2 dB (per 38  
T11/02-506v2); 39
- Changed Table A.2, column: 1200-M5E-SN4-I, row: Additional allowable insertion loss to 0,0 40  
dB (per T11/02-506v2); 41
- Changed Table A.2, column: 1200-M5-LC4-L, row: Allocation for penalties to 4,5 dB (per 42  
T11/02-506v2); 43
- Changed Table A.2, column: 1200-M5-LC4-L, row: Additional allowable insertion loss to 0,2 dB 44  
(per T11/02-506v2); 45
- Changed Table A.2, column: 1200-M6-LC4-L, row: Additional allowable insertion loss to 0,1 dB 46  
(per T11/02-506v2); 47
- Changed Table A.2, column: 1200-SM-LC4-L, row: Allocation for penalties to 2,0 dB (per 48  
T11/02-506v2); 49
- Changed “Operating Wavelength” to “Nominal Operating Wavelength” in Tables 18, 19, A.1 and 50  
A.2; 51
- Changed “Channel Insertion Loss (dB)” to “Channel Insertion Loss (dB) at Nominal Operating 52  
Wavelength” via footnote in Tables 18, 19, A.1 and A.2; 53  
54  
55

- 1 – Inserted the word “nominal” in front of “operating wavelength” for all occurrences in Note 5 in
- 2 Tables 18, 19, A.1 and A.2;
- 3 – Added “/10GFC Level” to the end of the label “(Ethernet Reconciliation Sublayer)” in Figure 9;
- 4 – Modified the wording of 9.4.1 based on proposed modifications in Brocade comments docu-
- 5 mented in T11/02-763v0;
- 6 – Modified the wording of 9.4.2 based on proposed modifications in Brocade comments docu-
- 7 mented in T11/02-763v0;
- 8 – Deleted Table 23 - Primitive signals (arbitrated loop) per proposed modifications in Brocade
- 9 comments documented in T11/02-763v0;
- 10 – Deleted Table 25 - Primitive sequences (arbitrated loop) per proposed modifications in Brocade
- 11 comments documented in T11/02-763v0;
- 12 – Changed “XGMII” to “10GFC” in 9.4.3 based on proposed modifications in Brocade comments
- 13 documented in T11/02-763v0;
- 14 – Changed the cross reference in the second to last paragraph in 9.6 to 9.7.2 based on proposed
- 15 modifications in Brocade comments documented in T11/02-763v0;
- 16 – Modified the wording of 9.7.2 based on proposed modifications in Brocade comments docu-
- 17 mented in T11/02-763v0;
- 18 – Changed “This” to “The 10GFC” in 9.8.2 based on proposed modifications in Brocade com-
- 19 ments documented in T11/02-763v0;
- 20 – Modified the wording of 9.8.3 based on proposed modifications in Brocade comments docu-
- 21 mented in T11/02-763v0;
- 22 – Modified the wording of 9.8.5 based on proposed modifications in Brocade comments docu-
- 23 mented in T11/02-763v0;
- 24 – Changed “FC-1” to “10GFC” in 9.8.7.2 based on proposed modifications in Brocade comments
- 25 documented in T11/02-763v0;
- 26 – Deleted one extraneous “D0.0” for the 8B/10B encodings for Ordered Sets Local\_Fault and
- 27 Remote\_Fault;
- 28 – Modified the wording of the beginning of Annex C based on proposed modifications in Brocade
- 29 comments documented in T11/02-763v0;
- 30 – Added C.4 to Annex C based on proposed modifications in Brocade comments documented in
- 31 T11/02-763v0;
- 32 – Replace two instances of “will” in the last sentence of E.4 to “may” as it is unknown for certain
- 33 that IDLEs will flip disparity.

34 Release Notes for revision 3.4:

- 35
- 36 – Corrected cross reference in 9.3 to Table 30 from Table 38;
- 37 – Changed all variables “10GbE [12]” to direct cross references reading “10GbE [13]”;
- 38 – In the last sentence of 8.3, changed the value of 1,7 dB to 2,0 dB.

39 Release Notes for revision 3.5:

- 40
- 41 – Resolved 2PR comment #29 from Tom Lindsay by inserting figure into Clause 7 showing fiber
- 42 lane ordering and transmit and receive lane ordering for MPO connector.

43 Release Notes for revision 4.0:

- 44
- 45 – Resolved 3PR comments.
- 46
- 47
- 48
- 49
- 50
- 51
- 52
- 53
- 54
- 55

1  
2  
3  
4  
5  
6  
7  
8  
9  
10  
11  
12  
13  
14  
15  
16  
17  
18  
19  
20  
21  
22  
23  
24  
25  
26  
27  
28  
29  
30  
31  
32  
33  
34  
35  
36  
37  
38  
39  
40  
41  
42  
43  
44  
45  
46  
47  
48  
49  
50  
51  
52  
53  
54  
55

1 ANSI®  
2 dpANS INCITS 364-2002  
3  
4  
5  
6  
7

8  
9  
10  
11  
12  
13  
14  
15  
16  
17  
18  
19  
20  
21  
22  
23  
24  
25  
26  
27  
28  
29  
30  
31  
32  
33  
34  
35  
36  
37  
38  
39  
40  
41  
42

# American National Standard for information Technology - Fibre Channel - 10 Gigabit (10GFC)

19 Secretariat  
20  
21 **Information Technology Industry Council**  
22  
23  
24  
25  
26  
27  
28

29 Approved (not yet approved)  
30  
31 **American National Standards Institute, Inc.**  
32  
33  
34  
35  
36  
37  
38  
39  
40  
41  
42

## Abstract

43 This standard describes extensions to the Fibre Channel signaling and physical layer requirements  
44 described in ANSI INCITS 230-1994 (1999), Fibre Channel Physical and Signaling Interface, FC-PH  
45 and extended in ANSI INCITS 352-2002, Fibre Channel Physical Interfaces (FC-PI) to support a data  
46 transport at a rate of approximately 10 Gigabits per second. The 10GFC physical layer is specified at  
47 identified points within the system.  
48

49 This standard is one of the Fibre Channel family of standards.  
50  
51  
52  
53  
54  
55

# American National Standard

Approval of an American National Standard requires review by ANSI that the requirements for due process, consensus, and other criteria for approval have been met by the standards developer.

Consensus is established when, in the judgement of the ANSI Board of Standards Review, substantial agreement has been reached by directly and materially affected interests. Substantial agreement means much more than a simple majority, but not necessarily unanimity. Consensus requires that all views and objections be considered, and that a concerted effort be made towards their resolution.

The use of American National Standards is completely voluntary; their existence does not in any respect preclude anyone, whether he has approved the standards or not, from manufacturing, marketing, purchasing, or using products, processes, or procedures not conforming to the standards. The American National Standards Institute does not develop standards and will in no circumstances give an interpretation of any American National Standard. Moreover, no person shall have the right or authority to issue an interpretation of an American National Standard in the name of the American National Standards Institute. Requests for interpretations should be addressed to the secretariat or sponsor whose name appears on the title page of this standard.

**CAUTION NOTICE:** This American National Standard may be revised or withdrawn at any time. The procedures of the American National Standards Institute require that action be taken periodically to reaffirm, revise, or withdraw this standard. Purchasers of American National Standards may receive current information on all standards by calling or writing the American National Standards Institute.

**CAUTION:** The developers of this standard have requested that holders of patents that may be required for the implementation of the standard disclose such patents to the publisher. However, neither the developers nor the publisher have undertaken a patent search in order to identify which, if any, patents may apply to this standard. As of the date of publication of this standard and following calls for the identification of patents that may be required for the implementation of the standard, no such claims have been made. No further patent search is conducted by the developer or publisher in respect to any standard it processes. No representation is made or implied that licenses are not required to avoid infringement in the use of this standard.

Published by

**American National Standards Institute  
11 West 42nd Street, New York, NY 10036**

Copyright © 200x by Information Technology Industry Council (ITI)  
All rights reserved.

No part of this publication may be reproduced in any form, in an electronic retrieval system or otherwise, without prior written permission of ITI, 1250 Eye Street NW, Washington, DC 20005.

Printed in the United States of America

1  
2  
3  
4  
5  
6  
7  
8  
9  
10  
11  
12  
13  
14  
15  
16  
17  
18  
19  
20  
21  
22  
23  
24  
25  
26  
27  
28  
29  
30  
31  
32  
33  
34  
35  
36  
37  
38  
39  
40  
41  
42  
43  
44  
45  
46  
47  
48  
49  
50  
51  
52  
53  
54  
55



1 **Foreword** (This Foreword is not part of American National Standard INCITS 364-2002.)  
2  
3

4 This standard describes extensions to the Fibre Channel signaling and physical layer requirements  
5 described in ANSI INCITS 230-1994 (1999), Fibre Channel Physical and Signaling Interface, FC-PH  
6 and extended in ANSI INCITS 352-2002, Fibre Channel Physical Interfaces (FC-PI) to support a data  
7 transport at a rate of approximately 10 Gigabits per second. The 10GFC physical layer is specified at  
8 identified points within the system.  
9

10 This standard is one of the Fibre Channel family of standards.  
11

12 This standard was developed by Task Group T11 of Accredited Standards Committee INCITS during  
13 2000-2001. The standards approval process started in 2001. This document includes annexes which  
14 are informative and are not considered part of the standard.  
15

16 Requests for interpretation, suggestions for improvements or addenda, or defect reports are wel-  
17 come. They should be sent to the INCITS Secretariat, Information Technology Industry Council, 1250  
18 Eye Street, NW, Suite 200, Washington, DC 20005-3922.  
19

20 This standard was processed and approved for submittal to ANSI by the National Committee for In-  
21 formation Technology Standards (INCITS). Committee approval of the standard does not necessarily  
22 imply that all committee members voted for approval.  
23

24 At the time it approved this standard, INCITS had the following members:  
25

26 *(to be filled in by INCITS)*  
27  
28  
29  
30  
31  
32  
33  
34  
35  
36  
37  
38  
39  
40  
41  
42  
43  
44  
45  
46  
47  
48  
49  
50  
51  
52  
53  
54  
55

Technical Committee T11 on Lower Level Interfaces, which reviewed this standard, had the following members:

Robert Snively, Chair  
Edward Grivna, Vice-Chair  
Neil Wanamaker, Secretary

|                          |                         |                          |                             |    |
|--------------------------|-------------------------|--------------------------|-----------------------------|----|
| Dal Allan (Alt.)         | Gregg Goyins (Alt.)     | Neil MacLean             | Gary S. Robinson            | 7  |
| Rick Allison             | Joe Graham (Alt.)       | Kumar Malavalli (Alt.)   | Johann Safar                | 8  |
| Greg Alvey (Alt.)        | Michael Griffin (Alt.)  | Roland Marbot (Alt.)     | Harmel S. Sangha (Alt.)     | 9  |
| Gary Andersen (Alt.)     | Robert Griswold         | Mark Marlett (Alt.)      | John Scheible               | 10 |
| Bob Atkinson (Alt.)      | Edward Grivna           | William R. Martin (Alt.) | Bruce Schober (Alt.)        | 11 |
| Narayan Ayalasonmayajula | Bill Ham                | Edward McClanahan (Alt.) | John Schroeder              | 11 |
| David Baldwin (Alt.)     | Mark Hamel (Alt.)       | Chuck McKnett (Alt.)     | Robert Snively              | 12 |
| Charles Binford          | Hiro Hashimoto (Alt.)   | Gregory McSorley (Alt.)  | Brad Solomon (Alt.)         | 13 |
| Jose Borrego (Alt.)      | Andy Helland            | Jeff Mendiola            | Predrag Spasic              | 13 |
| Joe Breher (Alt.)        | Ken Hirata (Alt.)       | Charles Monia            | Rob Stalnaker               | 14 |
| Charles Brill            | Osamu Ishida (Alt.)     | Bill Moody (Alt.)        | Gary R. Stephens            | 15 |
| Matt Brown (Alt.)        | Shin'ichi Iwano         | Mike Morandi (Alt.)      | Craig Stuber                | 15 |
| Ken Lazaris-Brunner      | Dylan Jackson (Alt.)    | Thomas Murphy (Alt.)     | Etsuji Sugita (Alt.)        | 16 |
| William Cagle            | Mike Jensen             | Hari Naidu               | Steven E. Swanson           | 17 |
| Craig Carlson            | Richard Johnson         | Mai Nguyen (Alt.)        | Tad Szostak                 | 18 |
| Doug Coleman (Alt.)      | Skip Jones (Alt.)       | Mike Nguyen (Alt.)       | Richard Taborek Sr.         | 18 |
| Bill Collette (Alt.)     | Mike Kauffman           | Bob Nixon                | Bharat Tailor (Alt.)        | 19 |
| James Coomes             | Albert F. Kelley        | Vit Novak                | Dennis Talluto              | 20 |
| Jan V. Dedek             | Julie Ann Kembel (Alt.) | Andrew Nowak             | Daniel Thanos (Alt.)        | 20 |
| David Deming             | Robert W. Kembel        | Louis Odenwald (Alt.)    | Lloyd E. Thorsbakken (Alt.) | 21 |
| Claudio DeSanti          | Clement Kent            | Michael O'Donnell        | Luis Torres (Alt.)          | 22 |
| Schelto van Doorn (Alt.) | Bret Ketchum            | Kevin Oursler            | Horst Truestedt             | 23 |
| Mike Dorsett (Alt.)      | Scott Kipp (Alt.)       | Harry V. Paul            | Jeanne Truestedt (Alt.)     | 23 |
| Robert Dugan (Alt.)      | Gregory Koellner (Alt.) | Robert Pedersen          | Joshua Tseng (Alt.)         | 24 |
| Marc Dupuis (Alt.)       | Bill Krieg              | George Penokie (Alt.)    | John Tyndall (Alt.)         | 25 |
| Dinesh Dutt (Alt.)       | Michael Lamatsch (Alt.) | Ken Peters (Alt.)        | Glenn Virball (Alt.)        | 25 |
| Art Edmonds (Alt.)       | Alan Land (Alt.)        | David Peterson           | Neil Wanamaker              | 26 |
| Neil Edmonds (Alt.)      | Lars Leininger (Alt.)   | Rich Ramos               | Gary Warden                 | 27 |
| Mike Fitzpatrick         | Paul Levin              | Venkat Rangan            | Naoki Watanabe              | 27 |
| David Ford               | Dave Lewis              | Bart Raudebaugh (Alt.)   | Ralph Weber                 | 28 |
| Michael S. Foster        | Rick Lewis (Alt.)       | Wayne Rickard (Alt.)     | Kevin White                 | 29 |
| Edward M. Frymoyer       | Tom Lindsay             | Curtis A. Ridgeway       | Steven L. Wilson (Alt.)     | 29 |
| Matt Gaffney             | John Lohmeyer (Alt.)    | Roger Rose               | John Worden (Alt.)          | 30 |
| Wayne Gentry             | Bill Lynn (Alt.)        |                          |                             | 30 |
|                          |                         |                          |                             | 31 |
|                          |                         |                          |                             | 32 |
|                          |                         |                          |                             | 33 |
|                          |                         |                          |                             | 34 |
|                          |                         |                          |                             | 35 |
|                          |                         |                          |                             | 36 |
|                          |                         |                          |                             | 37 |
|                          |                         |                          |                             | 38 |
|                          |                         |                          |                             | 39 |
|                          |                         |                          |                             | 40 |
|                          |                         |                          |                             | 41 |
|                          |                         |                          |                             | 42 |
|                          |                         |                          |                             | 43 |
|                          |                         |                          |                             | 44 |
|                          |                         |                          |                             | 45 |
|                          |                         |                          |                             | 46 |
|                          |                         |                          |                             | 47 |
|                          |                         |                          |                             | 48 |
|                          |                         |                          |                             | 49 |
|                          |                         |                          |                             | 50 |
|                          |                         |                          |                             | 51 |
|                          |                         |                          |                             | 52 |
|                          |                         |                          |                             | 53 |
|                          |                         |                          |                             | 54 |
|                          |                         |                          |                             | 55 |

1 **Introduction**

2  
3  
4  
5  
6  
7  
8  
9  
10  
11  
12  
13  
14  
15  
16  
17  
18  
19  
20  
21  
22  
23  
24  
25  
26  
27  
28  
29  
30  
31  
32  
33  
34  
35  
36  
37  
38  
39  
40  
41  
42  
43  
44  
45  
46  
47  
48  
49  
50  
51  
52  
53  
54  
55

10GFC is a member of the Fibre Channel family of standards. This family includes ANSI INCITS 230-1994 (1999), FC-PH, which specifies the Physical and Signalling Interface and ANSI INCITS 332-1999, FC-AL-2, specifies the arbitrated loop topology.

10GFC provides signaling and physical layer requirements that may be utilized by the FC-2 level to transport data at a rate in excess of 10 gigabits per second between Fibre Channel Ports.

**Acknowledgements**

The technical editor would like to thank the following individuals for their special contributions to this standard:

Curtis A. Ridgeway (Technical Co-Editor)  
LSI Logic Corporation  
Voice: (408) 433-7792  
E-mail: curtr@lsil.com

Clause Editors:

Clay Hudgins, Dubravko Babic, Tom Lindsay, Randy Clark, Dave Kabal, Bill Wiedemann, Kevin White, Len Young, Terry Cobb, Craig Stuber, Ed Grivna, Osamu Ishida, Neil MacLean and Doug Coleman

1  
2  
3  
4  
5  
6  
7  
8  
9  
10  
11  
12  
13  
14  
15  
16  
17  
18  
19  
20  
21  
22  
23  
24  
25  
26  
27  
28  
29  
30  
31  
32  
33  
34  
35  
36  
37  
38  
39  
40  
41  
42  
43  
44  
45  
46  
47  
48  
49  
50  
51  
52  
53  
54  
55

|    |  |             |
|----|--|-------------|
| 1  | <b>Foreword</b> .....  | <b>xi</b>   |
| 2  |  |             |
| 3  | <b>Introduction</b> .....  | <b>xiii</b> |
| 4  |  |             |
| 5  | <b>1 Scope</b> .....   | <b>1</b>    |
| 6  |  |             |
| 7  | <b>2 Normative References</b> .....                              | <b>2</b>    |
| 8  | 2.1 Approved references .....                                    | 2           |
| 9  | 2.2 References under development .....                           | 3           |
| 10 |  |             |
| 11 | <b>3 Definitions and conventions</b> .....                       | <b>4</b>    |
| 12 | 3.1 Definitions .....  | 4           |
| 13 | 3.2 Editorial Conventions .....                                  | 4           |
| 14 | 3.2.1 Hexadecimal notation .....                                 | 4           |
| 15 | 3.2.2 Transmission rate abbreviations .....                      | 5           |
| 16 | 3.2.3 Acronyms and other abbreviations .....                     | 6           |
| 17 | 3.2.4 Special symbols .....                                      | 7           |
| 18 | 3.3 Keywords .....   | 8           |
| 19 | 3.4 Notation .....   | 8           |
| 20 | 3.4.1 State diagram conventions .....                            | 8           |
| 21 |  |             |
| 22 | <b>4 Structure and concepts</b> .....                            | <b>13</b>   |
| 23 | 4.1 Overview .....   | 13          |
| 24 | 4.2 10GFC structure .....  | 14          |
| 25 | 4.2.1 FC-3 general description .....                             | 14          |
| 26 | 4.2.2 FC-2 general description .....                             | 14          |
| 27 | 4.2.3 FC-1 general description .....                             | 15          |
| 28 | 4.2.4 FC-0 general description .....                             | 16          |
| 29 |  |             |
| 30 | <b>5 Functional characteristics</b> .....                        | <b>17</b>   |
| 31 | 5.1 General characteristics .....                                | 17          |
| 32 | 5.2 10GFC physical variant nomenclature .....                    | 17          |
| 33 |  |             |
| 34 | <b>6 Optical interface specification</b> .....                   | <b>19</b>   |
| 35 | 6.1 850 nm Parallel (4 lane) PMD, type 1200-MX-SN4P-I .....      | 19          |
| 36 | 6.1.1 Overview .....   | 19          |
| 37 | 6.1.2 PMD MDIO function mapping .....                            | 19          |
| 38 | 6.1.3 PMD functional specifications .....                        | 20          |
| 39 | 6.1.4 Operating ranges .....                                     | 22          |
| 40 | 6.1.5 PMD to MDI optical specifications for 1200-MX-SN4P-I ..... | 23          |
| 41 | 6.1.6 Optical measurement requirements .....                     | 25          |
| 42 | 6.1.7 Environmental specifications .....                         | 26          |
| 43 | 6.1.8 Environment .....  | 27          |
| 44 | 6.1.9 PMD labeling requirements .....                            | 27          |
| 45 | 6.2 850 nm Serial PMD, type 1200-MX-SN-I .....                   | 28          |
| 46 | 6.2.1 Optical specifications .....                               | 28          |
| 47 | 6.2.2 Jitter, measurement and safety specifications .....        | 28          |
| 48 | 6.3 850 nm CWDM (four wavelength) PMD, type 1200-MX-SN4-I .....  | 29          |
| 49 | 6.3.1 Overview .....   | 29          |
| 50 | 6.3.2 Wavelength-division multiplexed-lane assignments .....     | 29          |
| 51 | 6.3.3 Operating ranges .....                                     | 29          |
| 52 | 6.3.4 Transmitter optical specifications .....                   | 29          |
| 53 | 6.3.5 Receive optical specifications .....                       | 30          |
| 54 | 6.3.6 Eye Safety .....   | 31          |
| 55 | 6.4 1310 nm Serial PMD, type 1200-SM-LL-L .....                  | 32          |
|    | 6.4.1 Optical specifications .....                               | 32          |
|    | 6.4.2 Jitter, measurement and safety specifications .....        | 32          |

|           |   |           |           |
|-----------|---|-----------|-----------|
| 6.5       | 1310 nm CWDM (four wavelength) PMD, type 1200-X-LC4-L | 33        | 1         |
| 6.5.1     | Optical specifications                                | 33        | 2         |
| 6.5.2     | Jitter, measurement and safety specifications         | 33        | 3         |
|           |   |           | 4         |
| <b>7</b>  | <b>Optical interface receptacle specification</b>     | <b>35</b> | <b>5</b>  |
| 7.1       | Optical interface connector                           | 35        | 6         |
| 7.2       | Optical receptacle                                    | 35        | 7         |
| 7.3       | Optical plug  | 35        | 8         |
|           |   |           | 9         |
| <b>8</b>  | <b>Optical interface cable plant specifications</b>   | <b>37</b> | <b>9</b>  |
| 8.1       | Overview  | 37        | 10        |
| 8.2       | Fiber optic cable plant model                         | 37        | 11        |
| 8.2.1     | Optical fiber connection                              | 37        | 12        |
| 8.2.2     | Medium dependent interface (MDI)                      | 37        | 13        |
| 8.3       | Characteristics of the fiber optic cabling            | 38        | 14        |
| 8.3.1     | Optical fiber and cable                               | 38        | 15        |
| 8.3.2     | Cable plant optical return loss                       | 39        | 16        |
| 8.3.3     | Connectors and splices                                | 40        | 17        |
|           |   |           | 18        |
| <b>9</b>  | <b>FC-1 and 10GFC Levels</b>                          | <b>41</b> | <b>19</b> |
| 9.1       | Definitions and nomenclature                          | 41        | 20        |
| 9.2       | Overview  | 41        | 21        |
| 9.3       | Byte lane ordering                                    | 41        | 22        |
| 9.4       | XGMII control characters and ordered set translation  | 43        | 23        |
| 9.4.1     | FC-1 to XGMII translation tables                      | 43        | 24        |
| 9.4.2     | Unsupported FC-1 ordered sets                         | 44        | 25        |
| 9.4.3     | Reserved codes  | 46        | 26        |
| 9.4.4     | 10GFC error character                                 | 46        | 27        |
| 9.5       | XAUI idle characters                                  | 46        | 28        |
| 9.6       | Ordered set mapping from XGMII to XAUI interface      | 46        | 29        |
| 9.7       | 10GFC Level functions                                 | 47        | 30        |
| 9.7.1     | Ordered set translation                               | 48        | 31        |
| 9.7.2     | Link fault signaling                                  | 48        | 32        |
| 9.7.3     | 10GFC primitive sequence qualification state diagram  | 48        | 33        |
| 9.7.4     | XGMII and FC-1 primitive sequence interaction         | 49        | 34        |
| 9.8       | FC-1 level rules, requirements and functions          | 49        | 35        |
| 9.8.1     | FC-1 link fault and error indications                 | 50        | 36        |
| 9.8.2     | FC_Port state machine                                 | 50        | 37        |
| 9.8.3     | Arbitrated loop functions                             | 51        | 38        |
| 9.8.4     | Inter-frame gap (IFG) rules                           | 51        | 39        |
| 9.8.5     | XGMII primitive sequence   Q   rules                  | 52        | 40        |
| 9.8.6     | XGMII primitive signal   P   rules                    | 53        | 41        |
| 9.8.7     | EOF handling  | 53        | 42        |
| 9.8.8     | 10GFC Errors (/E/)                                    | 54        | 43        |
|           |   |           | 44        |
| <b>10</b> | <b>10 gigabit media independent interface (XGMII)</b> | <b>55</b> | <b>45</b> |
| 10.1      | Overview  | 55        | 46        |
| 10.1.1    | XGMII characteristics                                 | 55        | 47        |
| 10.1.2    | Rate of operation                                     | 55        | 48        |
| 10.1.3    | Byte lane connections                                 | 55        | 49        |
| 10.2      | XGMII data stream                                     | 55        | 50        |
| 10.2.1    | Inter-frame gap (IFG)                                 | 56        | 51        |
| 10.2.2    | Preamble and start of frame (SOF)                     | 57        | 52        |
| 10.2.3    | Data frame size                                       | 57        | 53        |
| 10.2.4    | Data   CRC  | 57        | 54        |
| 10.2.5    | End of frame   EOF                                    | 57        | 55        |
| 10.3      | XGMII fault Indications                               | 57        |           |

|    |  |           |
|----|--|-----------|
| 1  | <b>11 XGMII extender sublayer (XGXS) and 10 gigabit attachment unit interface (XAUI) . . .</b> | <b>59</b> |
| 2  | 11.1 XGXS and XAUI rate of operation . . . . .   | 59        |
| 3  |  |           |
| 4  | <b>12 8B/10B physical coding sublayer (PCS) and physical medium attachment (PMA) sublayers</b> |           |
| 5  | <b>61</b>  |           |
| 6  | 12.1 Overview . . . . .  | 61        |
| 7  | 12.2 Rate of operation . . . . .   | 61        |
| 8  | 12.3 Ordered set mapping between XGMII and 8B/10B PCS . . . . .                                | 61        |
| 9  | 12.3.1 8B/10B encoding . . . . .   | 61        |
| 10 | 12.3.2 Data skew and multiple clock domain operation . . . . .                                 | 61        |
| 11 | 12.4 8B/10B PCS to XGMII mapping . . . . .   | 62        |
| 12 | 12.4.1 Reserved codes . . . . .  | 62        |
| 13 | 12.4.2 Invalid characters . . . . .  | 62        |
| 14 | 12.4.3 Terminate   T   . . . . .   | 63        |
| 15 | 12.4.4 Error /E/ . . . . .   | 63        |
| 16 | 12.5 Transmit and Receive state diagrams . . . . .   | 63        |
| 17 | <b>13 Physical coding sublayer (PCS) for 64B/66B . . . . .</b>                                 | <b>65</b> |
| 18 | 13.1 Single lane 64B/66B bit encoding . . . . .  | 65        |
| 19 |  |           |
| 20 | <b>14 10 gigabit sixteen bit interface (XSBI) . . . . .</b>                                    | <b>67</b> |
| 21 |  |           |
| 22 | <b>15 Port management . . . . .</b>  | <b>69</b> |
| 23 |  |           |
| 24 | <b>Annex A: Cable plant employing cross-connects</b>   |           |
| 25 | <b>(Informative) . . . . .</b>   | <b>71</b> |
| 26 | A.1 Characteristics of fiber optic cabling . . . . .   | 71        |
| 27 |  |           |
| 28 | <b>Annex B: 10GFC to SONET mapping</b>   |           |
| 29 | <b>(Normative) . . . . .</b>   | <b>73</b> |
| 30 |  |           |
| 31 | <b>Annex C: FC-AL-2 to 10GFC mapping</b>   |           |
| 32 | <b>(Informative) . . . . .</b>   | <b>75</b> |
| 33 | C.1 Overview . . . . .   | 75        |
| 34 | C.2 FC-AL-2 mapping . . . . .  | 75        |
| 35 | C.2.1 Unsupported FC-1 ordered sets . . . . .  | 75        |
| 36 | C.3 Concerns about FC-AL-2 operation . . . . .   | 75        |
| 37 | C.4 Forcing LPSM to Point-to-Point Mode . . . . .  | 77        |
| 38 |  |           |
| 39 | <b>Annex D: 8B/10B PCS State Diagrams</b>  |           |
| 40 | <b>(Informative) . . . . .</b>   | <b>79</b> |
| 41 | D.1 Overview . . . . .   | 79        |
| 42 | D.2 Transmit source state diagram . . . . .  | 79        |
| 43 | D.2.1 Send data state . . . . .  | 79        |
| 44 | D.2.2 Transmission errors . . . . .  | 79        |
| 45 | D.2.3 Primitive signal   P   transmission . . . . .  | 80        |
| 46 | D.2.4 Primitive sequence   Q   transmission . . . . .  | 80        |
| 47 | D.2.5 Idle pattern   I   generation . . . . .  | 80        |
| 48 | D.3 PCS receive state diagram . . . . .  | 81        |
| 49 | D.3.1 Reception Error . . . . .  | 81        |
| 50 | D.3.2 Primitive sequence   Q   and primitive signal   P   reception . . . . .                  | 82        |
| 51 | D.3.3 Idle pattern reception . . . . .   | 84        |
| 52 |  |           |
| 53 | <b>Annex E: XAUI and 8B/10B PCS test patterns</b>  |           |
| 54 | <b>(Normative) . . . . .</b>   | <b>87</b> |
| 55 | E.1 High frequency test pattern . . . . .  | 87        |
|    | E.2 Low frequency test pattern . . . . .   | 87        |
|    | E.3 Mixed frequency test pattern . . . . .   | 87        |

|  |    |    |
|--|----|----|
| E.4 Continuous jitter test pattern (CJPAT) ..... | 87 | 1  |
|  |    | 2  |
|  |    | 3  |
|  |    | 4  |
|  |    | 5  |
|  |    | 6  |
|  |    | 7  |
|  |    | 8  |
|  |    | 9  |
|  |    | 10 |
|  |    | 11 |
|  |    | 12 |
|  |    | 13 |
|  |    | 14 |
|  |    | 15 |
|  |    | 16 |
|  |    | 17 |
|  |    | 18 |
|  |    | 19 |
|  |    | 20 |
|  |    | 21 |
|  |    | 22 |
|  |    | 23 |
|  |    | 24 |
|  |    | 25 |
|  |    | 26 |
|  |    | 27 |
|  |    | 28 |
|  |    | 29 |
|  |    | 30 |
|  |    | 31 |
|  |    | 32 |
|  |    | 33 |
|  |    | 34 |
|  |    | 35 |
|  |    | 36 |
|  |    | 37 |
|  |    | 38 |
|  |    | 39 |
|  |    | 40 |
|  |    | 41 |
|  |    | 42 |
|  |    | 43 |
|  |    | 44 |
|  |    | 45 |
|  |    | 46 |
|  |    | 47 |
|  |    | 48 |
|  |    | 49 |
|  |    | 50 |
|  |    | 51 |
|  |    | 52 |
|  |    | 53 |
|  |    | 54 |
|  |    | 55 |



|    |   |    |
|----|---|----|
| 1  | Figure 1 – State diagram notation example . . . . .   | 9  |
| 2  | Figure 2 – Fibre channel structure . . . . .  | 13 |
| 3  | Figure 3 – Node functional configuration . . . . .  | 14 |
| 4  | Figure 4 – 10GFC physical variant nomenclature . . . . .                                    | 17 |
| 5  | Figure 5 – Block diagram for one direction of the 1200-MX-SN4P-I PMD signal paths . . . . . | 20 |
| 6  | Figure 6 – Mask of the sinusoidal component of jitter tolerance (informative) . . . . .     | 25 |
| 7  | Figure 7 – MPO plug and receptacle . . . . .  | 36 |
| 8  | Figure 8 – MPO fiber lane numbering . . . . .   | 36 |
| 9  | Figure 9 – Fiber optic cable plant model . . . . .  | 37 |
| 10 | Figure 10 – XGMII relationship to OSI, 10GbE and 10GFC. . . . .                             | 42 |
| 11 | Figure 11 – Byte lane ordering . . . . .  | 42 |
| 12 | Figure 12 – FC-1/10GFC/XGMII Interaction. . . . .   | 47 |
| 13 | Figure 13 – 10GFC primitive sequence qualification state diagram . . . . .                  | 50 |

14  
15  
16  
17  
18  
19  
20  
21  
22  
23  
24  
25  
26  
27  
28  
29  
30  
31  
32  
33  
34  
35  
36  
37  
38  
39  
40  
41  
42  
43  
44  
45  
46  
47  
48  
49  
50  
51  
52  
53  
54  
55

1  
2  
3  
4  
5  
6  
7  
8  
9  
10  
11  
12  
13  
14  
15  
16  
17  
18  
19  
20  
21  
22  
23  
24  
25  
26  
27  
28  
29  
30  
31  
32  
33  
34  
35  
36  
37  
38  
39  
40  
41  
42  
43  
44  
45  
46  
47  
48  
49  
50  
51  
52  
53  
54  
55

|   |    |    |
|---|----|----|
| Table 1 – ISO and American Conventions . . . . .  | 4  | 1  |
| Table 2 – Data rate abbreviations . . . . .   | 5  | 2  |
| Table 3 – Acronyms and other abbreviations . . . . .  | 6  | 3  |
| Table 4 – Symbols . . . . .   | 7  | 4  |
| Table 5 – State diagram operators . . . . .   | 10 | 5  |
| Table 6 – 1200-MX-SN4P-I PMD type and associated sublayer and clause . . . . .                      | 19 | 6  |
| Table 7 – SIGNAL_DETECT value definition . . . . .  | 21 | 7  |
| Table 9 – Transmit characteristics for the 1200-MX-SN4P-I PMD . . . . .                             | 23 | 8  |
| Table 8 – Operating range for 1200-MX-SN4P-I over each optical fiber type . . . . .                 | 23 | 9  |
| Table 10 – Receive characteristics for the 1200-MX-SN4P-I PMD . . . . .                             | 24 | 10 |
| Table 11 – BERT mask specifications . . . . .   | 24 | 11 |
| Table 12 – Applied Sinusoidal Jitter . . . . .  | 26 | 12 |
| Table 13 – 1200-MX-SN4-I PMD type and associated sublayer and clause . . . . .                      | 29 | 13 |
| Table 14 – Wavelength-division-multiplexed lane assignments . . . . .                               | 29 | 14 |
| Table 16 – 1200-MX-SN4-I receive characteristics . . . . .  | 30 | 15 |
| Table 15 – Transmit characteristics . . . . .   | 30 | 16 |
| Table 17 – 10 GFC Cable Plant Variants . . . . .  | 37 | 17 |
| Table 18 – Optical interface, cable plant and link budget (serial and parallel variants) . . . . .  | 39 | 18 |
| Table 19 – Optical interface, cable plant and link budget (CWDM variants) . . . . .                 | 40 | 19 |
| Table 20 – XGMII control characters . . . . .   | 43 | 20 |
| Table 21 – Frame delimiters . . . . .   | 43 | 21 |
| Table 22 – Primitive signals (standard) . . . . .   | 45 | 22 |
| Table 23 – Primitive sequences (standard) . . . . .   | 45 | 23 |
| Table 24 – Primitive sequences (link status) . . . . .  | 45 | 24 |
| Table 25 – XAUI idle characters . . . . .   | 46 | 25 |
| Table 26 – XAUI frame layout . . . . .  | 46 | 26 |
| Table 27 – Primitive sequence start . . . . .   | 51 | 27 |
| Table 28 – Changing primitive sequence . . . . .  | 52 | 28 |
| Table 29 – Ending primitive sequence . . . . .  | 53 | 29 |
| Table 30 – Byte lane connections . . . . .  | 56 | 30 |
| Table 31 – 10GFC and 10GbE XAUI frame layout . . . . .  | 56 | 31 |
| Table 32 – XGMII to 8B/10B PCS mapping . . . . .  | 62 | 32 |
| Table 33 – 8B/10B PCS to XGMII mapping . . . . .  | 63 | 33 |
| Table 34 – Ordered sets and special characters . . . . .  | 64 | 34 |
| Table A.1 – Optical interface, cable plant and link budget (serial and parallel variants) . . . . . | 71 | 35 |
| Table A.2 – Optical interface, cable plant and link budget (CWDM variants) . . . . .                | 72 | 36 |
| Table C.1 – Primitive signals (arbitrated loop) . . . . .   | 76 | 37 |
| Table C.2 – Primitive sequences (arbitrated loop) . . . . .   | 76 | 38 |
| Table D.1 – Idle pattern generation . . . . .   | 81 | 39 |
| Table D.2 – Primitive signal transmission . . . . .   | 82 | 40 |
| Table D.4 – 8B/10B primitive sequence start . . . . .   | 83 | 41 |
| Table D.3 – Short inter-frame gap . . . . .   | 83 | 42 |
| Table D.5 – 8B/10B continuing primitive sequence . . . . .  | 84 | 43 |
| Table D.6 – 8B/10B changing primitive sequence . . . . .  | 84 | 44 |
| Table D.8 – Minimal frame idle pattern generation . . . . .   | 85 | 45 |
| Table D.7 – 8B/10B ending primitive sequence . . . . .  | 85 | 46 |
| Table E.1 – Continuous jitter test pattern (CJPAT) frame format . . . . .                           | 89 | 47 |
|   |    | 48 |
|   |    | 49 |
|   |    | 50 |
|   |    | 51 |
|   |    | 52 |
|   |    | 53 |
|   |    | 54 |
|   |    | 55 |

1  
2  
3  
4  
5  
6  
7  
8  
9  
10  
11  
12  
13  
14  
15  
16  
17  
18  
19  
20  
21  
22  
23  
24  
25  
26  
27  
28  
29  
30  
31  
32  
33  
34  
35  
36  
37  
38  
39  
40  
41  
42  
43  
44  
45  
46  
47  
48  
49  
50  
51  
52  
53  
54  
55

1  
2  
3  
4  
5  
6  
7  
8  
9  
10  
11  
12  
13  
14  
15  
16  
17  
18  
19  
20  
21  
22  
23  
24  
25  
26  
27  
28  
29  
30  
31  
32  
33  
34  
35  
36  
37  
38  
39  
40  
41  
42  
43  
44  
45  
46  
47  
48  
49  
50  
51  
52  
53  
54  
55

American National Standard  
for Information Technology —  
**Fibre Channel —  
10 Gigabit (10GFC)**

**1 Scope**

10GFC describes signaling and physical requirements that may be utilized by the FC-2 level to transport data at a rate in excess of 10 gigabits per second.

The Fibre Channel signaling and physical requirements described in this document are:

- Link Architecture including retiming - clause 5;
- Physical Layer specifications - clause 6;
- Connector performance specifications - clause 7;
- Link and cable plant management specifications - clause 8;
- FC-1 data path interface - clause 9;
- Optional interconnect interfaces clauses 10, 11 and 14;
- Transmission Coding - clauses 12 and 13;
- Management interface and register set - clause 15;

## 2 Normative References

The following Standards contain provisions which, through reference in the text, constitute provisions of this Standard. At the time of publication, the editions indicated were valid. All Standards are subject to revision, and parties to agreements based on this Standard are encouraged to investigate the possibility of applying the most recent editions of the Standards listed below.

For electronic copies of some standards, visit ANSI's Electronic Standards Store (ESS) at [www.ansi.org](http://www.ansi.org). or printed versions of all standards listed here, contact Global Engineering Documents, 15 Inverness Way East, Englewood, CO; 80112-5704, (800) 854-7179.

Additional availability contact information is provided below as needed.

### 2.1 Approved references

- [1] **ANSI INCITS 230-1994 (1999)**, *Information Technology - Fibre Channel Physical and Signaling Interface (FC-PH)*.
- [2] **ANSI INCITS 332-1999**, *Fibre Channel - Arbitrated Loop (FC-AL-2)*.
- [3] **ANSI INCITS 352-2002**, *Fibre Channel - Physical Interfaces (FC-PI)*.
- [4] **ANSI T1.416-1999**, *Telecommunications - Network to Customer Installation Interfaces - Synchronous Optical Network (SONET) Physical Layer Specification: Common Criteria*.
- [5] **ANSI T1.269-2000**, *Information Interchange - Structure and Representation of Trace Message formats for the North American Telecommunications System*.
- [6] **ANSI T1.105-1995**, *Telecommunications - Synchronous Optical Network (SONET) - Basic Description including Multiplex Structure, Rates and Formats*.
- [7] **EIA/JEDEC Standard EIA/JESD8-6**, *High Speed Transceiver Logic (HSTL)*, August 1995.
- [8] **ITU-T Recommendation G.957,1995**, *Optical interfaces for equipments and systems relating to the synchronous digital hierarchy (SDH)*
- [9] **ITU-T Recommendation O.172,1999**, *Jitter and wander measuring equipment for digital systems which are based on the synchronous digital hierarchy (SDH)*
- [10] **INCITS/TR-25:1999**, *Fibre Channel Methodologies for Jitter Specification*
- [11] **IEC-60950-1**, *Information technology equipment - Safety - Part 1: General requirements*
- [12] **IEC-60825-1**, *Safety of laser products - Part 1: Equipment classification, requirements and user's guide CONSOLIDATED EDITION*
- [13] **IEEE 802.3AE-2002**, *IEEE Standard for Carrier Sense Multiple Access with Collision Detection (CSMA/CD) Access Method and Physical Layer Specifications-Media Access Control (MAC) Parameters, Physical Layer and Management Parameters for 10 Gb/s Operation. Also referred to as 10GbE.*

1 **2.2 References under development**

2  
3  
4  
5  
6  
7  
8  
9  
10  
11  
12  
13  
14  
15  
16  
17  
18  
19  
20  
21  
22  
23  
24  
25  
26  
27  
28  
29  
30  
31  
32  
33  
34  
35  
36  
37  
38  
39  
40  
41  
42  
43  
44  
45  
46  
47  
48  
49  
50  
51  
52  
53  
54  
55

At the time of publication, the following referenced standards were still under development. For information on the current status of the documents, or regarding availability, contact the relevant standards body or other organization as indicated.

[14] **ANSI INCITS xxx-200x**, *Fibre Channel - Framing and Signaling (FC-FS)*, T11/Project 1331-D/Rev 1.7.

[15] **ANSI INCITS xxx:200x**, *Fibre Channel - Physical Interfaces (FC-PI-2)*, T11/Project 1506-D/Rev 3.

[16] **ITU-T Recommendation G.707**, *Synchronous Digital Hierarchy (SDH)*

[17] **ITU-T Recommendation G.709**, *Optical Transport Network (OTN)*

### 3 Definitions and conventions

For 10GFC, the following definitions, conventions, abbreviations, acronyms, and symbols apply.

#### 3.1 Definitions

**3.1.1 compliance point:** Compliance points are defined at the external connector for transmitters and receivers.

#### 3.2 Editorial Conventions

In 10GFC, a number of conditions, mechanisms, sequences, parameters, events, states, or similar terms are printed with the first letter of each word in uppercase and the rest lowercase (e.g., Exchange, Class). Any lowercase uses of these words have the normal technical English meanings.

Numbered items do not represent any priority. Any priority is explicitly indicated.

The ISO convention of numbering is used (i.e., the thousands and higher multiples are separated by a space and a comma is used as the decimal point.) A comparison of the American and ISO conventions are shown in table 1.

**Table 1 – ISO and American Conventions**

| ISO         | American    |
|-------------|-------------|
| 0,6         | 0.6         |
| 1 000       | 1,000       |
| 1 323 462,9 | 1,323,462.9 |

In case of any conflict between figure, table, and text, the text, then tables, and finally figures take precedence. Exceptions to this convention are indicated in the appropriate subclauses.

In all of the figures, tables, and text of this document, the most significant bit of a binary quantity is shown on the left side. Exceptions to this convention are indicated in the appropriate subclauses.

The term “shall” is used to indicate a mandatory rule. If such a rule is not followed, the results are unpredictable unless indicated otherwise.

If a field or a control bit in a frame is specified as not meaningful, the entity which receives the frame shall not check that field or control bit.

#### 3.2.1 Hexadecimal notation

Hexadecimal notation is used to represent fields. For example, a four-byte Process\_Associator field containing a binary value of 00000000 11111111 10011000 11111010 is shown in hexadecimal format as hex ‘00 FF 98 FA’.



### 3.2.2 Transmission rate abbreviations

The exact transmission rates are used in the tables and the abbreviated forms are used in text. Note that 3,187 5 gigabaud (GBd) is the preferred ISO method and is used instead of 3 187,5 megabaud (MBd) where it makes sense to do so.

**Table 2 – Data rate abbreviations**

| Notation      | Notation ( <i>FC-FS style</i> ) | True signaling rate |
|---------------|---------------------------------|---------------------|
| 3,187 5 GBd   | 3 187,5 MBd                     | 3 187,5 MBd         |
| 10,2 Gb/s     | 10 200 Mb/s                     | 10 200 Mb/s         |
| 10,518 75 GBd | 10 518,75 MBd                   | 10 518,75 MBd       |
| 12,75 GBd     | 12 750 MBd                      | 12 750 MBd          |

**3.2.3 Acronyms and other abbreviations****Table 3 – Acronyms and other abbreviations**

|        |   |
|--------|---|
| ASIC   | application specific integrated circuit                             |
| BB-2   | Fibre Channel Backbone standard (FC-BB-2)                           |
| Bd     | Baud  |
| BER    | bit error ratio   |
| CDR    | clock and data recovery   |
| CJPAT  | continuous jitter test pattern                                      |
| CMOS   | complementary metal oxide semiconductor                             |
| CRC    | cyclic redundancy check   |
| CWDM   | coarse wavelength division multiplexing                             |
| dB     | decibel   |
| dBm    | decibel (relative to 1 mW)  |
| DJ     | deterministic jitter  |
| DUT    | device under test   |
| EIA    | Electronic Industries Association                                   |
| EMC    | electromagnetic compatibility                                       |
| EMI    | electromagnetic interference  |
| EOF    | End-of-Frame  |
| FC     | Fibre Channel   |
| FOTP   | fiber optic test procedure  |
| FWHM   | full width half maximum   |
| Gb/s   | gigabits per second, where gigabit = $10^9$ bits                    |
| GB/s   | gigabytes per second, where gigabyte = $10^9$ bytes                 |
| GBd    | gigabaud  |
| GFC    | Gigabit Fibre Channel   |
| hex    | hexadecimal notation  |
| HIPPI  | High-Performance Parallel Interface standard                        |
| IEEE   | Institute of Electrical and Electronics Engineers                   |
| ISI    | inter-symbol interference   |
| ITU-T  | The International Union Telecommunication standard (formerly CCITT) |
| JTPAT  | jitter test pattern   |
| LOS    | loss of signal  |
| LPSM   | loop port state machine   |
| LW     | long wavelength   |
| Mb/s   | megabits per second, where megabit = $10^6$ bits                    |
| MB     | megabyte = $10^6$ bytes   |
| MB/s   | megabytes per second, where megabyte = $10^6$ bytes                 |
| MBd    | megabaud  |
| MDI    | Medium Dependent Interface  |
| MPN    | mode partition noise  |
| MPO    | multiway plug optical connector                                     |
| MM     | multimode   |
| MMF    | multimode fiber   |
| MT     | multi vendor specific MPO connector designation                     |
| NA     | not applicable  |
| nm     | nanometer   |
| NEXT   | near-end crosstalk  |
| N_Port | Node_Port   |
| OFSTP  | optical fiber system test procedure                                 |
| OFL    | overfilled launch   |
| OMA    | optical modulation amplitude  |
| ORL    | optical return loss   |
| OSI    | Open Systems Interconnection  |
| PCS    | Physical Coding Sublayer  |
| PLL    | phase-locked loop   |
| PMA    | Physical Medium Attachment sublayer                                 |

1  
2  
3  
4  
5  
6  
7  
8  
9  
10  
11  
12  
13  
14  
15  
16  
17  
18  
19  
20  
21  
22  
23  
24  
25  
26  
27  
28  
29  
30  
31  
32  
33  
34  
35  
36  
37  
38  
39  
40  
41  
42  
43  
44  
45  
46  
47  
48  
49  
50  
51  
52  
53  
54  
55

**Table 3 – Acronyms and other abbreviations**

|            |  |
|------------|--|
| PMD        | Physical Medium Dependent sublayer                     |
| ppm        | parts per million                                      |
| ps         | picosecond   |
| PSM        | FC_Port State Machine                                  |
| RF         | remote fault   |
| RFC-1      | FC-1 Receiver  |
| RFI        | radio frequency interference                           |
| RIN        | relative intensity noise                               |
| RJ         | random jitter  |
| RMS        | root mean square                                       |
| RS         | Reconciliation Sublayer (10GbE [13])                   |
| Rx         | receiver   |
| RXI        | XGMII Receiver   |
| SCSI       | Small Computer System Interface standard               |
| SD         | signal detect  |
| SDH        | Synchronous Digital Hierarchy standard                 |
| SerDes     | serializer/deserializer                                |
| SM         | single-mode  |
| SMF        | single-mode fiber                                      |
| S/N or SNR | signal-to-noise ratio                                  |
| SOF        | Start-of-Frame   |
| SW         | short wavelength                                       |
| TDR        | time domain reflectometry                              |
| TFC-1      | FC-1 Transmitter                                       |
| TIA        | Telecommunication Industries Association               |
| Tx         | transmitter  |
| TXI        | XGMII Transmitter                                      |
| TxRx       | a combination of transmitter and receiver              |
| UI         | unit interval = 1 bit period                           |
| ULP        | upper level protocol                                   |
| VI         | Fibre Channel Virtual Interface standard               |
| XAUI       | 10 Gigabit Attachment Unit Interface (see clause 11)   |
| XGMII      | 10 Gigabit Media Independent Interface (see clause 10) |
| XGXS       | XGMII Extender Sublayer (see clause 11)                |
| XSBI       | 10 Gigabit Sixteen Bit Interface (see clause 14)       |

**3.2.4 Special symbols**

Unless indicated otherwise, the following symbols have the listed meanings.

**Table 4 – Symbols**

| <b>Symbol</b>    | <b>Description</b>  |
|------------------|---|
| $\gamma$         | gamma   |
| $\Omega$         | ohm   |
| $\mu$            | micro (e.g., $\mu\text{m}$ = micrometer)  |
| $\lambda$        | wavelength  |
| <b>&lt;n&gt;</b> | Bits and groups of bits are represented with angle brackets and a separating colon, such as <3> or <7:0>  |
| <b>/x/</b>       | The encoded character x is represented by preceding and following slash symbols.  |
| <b>  y  </b>     | Four encoded characters, one each in lanes 0 through 3 inclusive, synchronous to each other and arranged in a column identified by the value y, is represented by preceding and following double bar symbols. |

### 3.3 Keywords

**3.3.1 expected:** Used to describe the behavior of the hardware or software in the design models assumed by this standard. Other hardware and software design models may also be implemented.

**3.3.2 invalid:** Used to describe an illegal or unsupported bit, byte, word, field or code value. Receipt of an invalid bit, byte, word, field or code value shall be reported as error.

**3.3.3 ignored:** Used to describe a bit, byte, word, field or code value that shall not be examined by the receiving port. The bit, byte, word, field or code value has no meaning in the specified context.

**3.3.4 mandatory:** A keyword indicating an item that is required to be implemented as defined in this standard.

**3.3.5 may:** A keyword that indicates flexibility of choice with no implied preference (equivalent to “may or may not”).

**3.3.6 may not:** A keyword that indicates flexibility of choice with no implied preference (equivalent to “may or may not”).

**3.3.7 meaningful:** A control field or bit shall be applicable and shall be interpreted by the receiver, wherever it is specified as meaningful. Wherever it is specified as “not meaningful”, it shall be ignored.

**3.3.8 obsolete:** A keyword indicating that an item was defined in a prior Fibre Channel standard but has been removed from this standard.

**3.3.9 optional:** A keyword that describes features that are not required to be implemented by this standard. However, if an optional feature defined by this standard is implemented, then it shall be implemented as defined in this standard.

**3.3.10 reserved:** A keyword referring to bits, bytes, words, fields and code values that are set aside for future standardization. A reserved bit, byte, word or field shall be set to zero, or in accordance with a future extension to this standard. Recipients are not required to check reserved bits, bytes, words or fields for zero values. Reserved code values shall always be passed to higher level protocols.

**3.3.11 shall:** A keyword indicating a mandatory requirement. Designers are required to implement all such mandatory requirements to ensure interoperability with other products that conform to this standard. This standard prescribes no specific response by a component if it receives information that violates a mandatory behavior.

**3.3.12 should:** A keyword indicating flexibility of choice with a strongly preferred alternative; equivalent to the phrase “it is strongly recommended”.

**3.3.13 vendor specific:** Functions, code values, and bits not defined by this standard and set aside for private usage between parties using this standard.

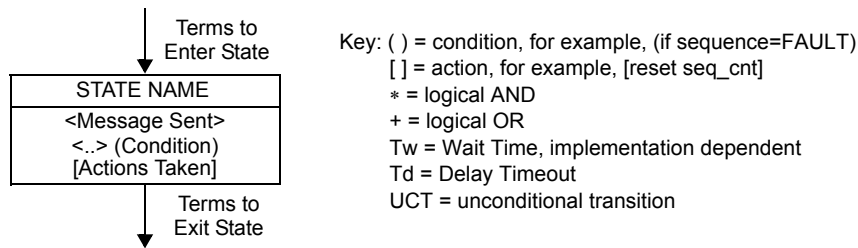
### 3.4 Notation

#### 3.4.1 State diagram conventions

The operation of a protocol can be described by subdividing the protocol into a number of interrelated functions. The operation of the functions can be described by state diagrams. Each diagram represents

1  
2  
3  
4  
5  
6  
7  
8  
9  
10  
11  
12  
13  
14  
15  
16  
17  
18  
19  
20  
21  
22  
23  
24  
25  
26  
27  
28  
29  
30  
31  
32  
33  
34  
35  
36  
37  
38  
39  
40  
41  
42  
43  
44  
45  
46  
47  
48  
49  
50  
51  
52  
53  
54  
55

the domain of a function and consists of a group of connected, mutually exclusive states. Only one state of a function is active at any given time (see figure 1).



**Figure 1 – State diagram notation example**

Each state that the function can assume is represented by a rectangle. These are divided into two parts by a horizontal line. In the upper part the state is identified by a name in capital letters. The lower part contains the name of any ON signal that is generated by the function. Actions are described by short phrases and enclosed in brackets.

All permissible transitions between the states of a function are represented graphically by arrows between them. A transition that is global in nature (for example, an exit condition from all states to the IDLE or RESET state) is indicated by an open arrow. Labels on transitions are qualifiers that must be fulfilled before the transition will be taken. The label UCT designates an unconditional transition. Qualifiers described by short phrases are enclosed in parentheses.

State transitions and sending and receiving of messages occur instantaneously. The actions inside a state block execute instantaneously. Actions inside state blocks are atomic (i.e., uninterruptible). When a state is entered and after performing all the actions listed in a state block one time, the state block then continuously evaluates its exit conditions until one is satisfied, at which point control passes through a transition arrow to the next block. While the state awaits fulfillment of one of its exit conditions, the actions inside do not implicitly repeat.

Valid state actions may include .indicate and .request messages. No actions are taken outside of any state block.

Some devices described in this standard are allowed to have two or more ports. State diagrams that are capable of describing the operation of devices with an unspecified number of ports require qualifier notation that allows testing for conditions at multiple ports. The notation used is a term that includes a description in parentheses of which ports must meet the term for the qualifier to be satisfied (e.g., ANY and ALL). It is also necessary to provide for term-assignment statements that assign a name to a port that satisfies a qualifier. The following convention is used to describe a term-assignment statement that is associated with a transition:

- The character “:” (colon) is a delimiter used to denote that a term assignment statement follows;
- The character “←” (left arrow) denotes assignment of the value following the arrow to the term preceding the arrow.

The state diagrams contain the authoritative statement of the functions they depict. When apparent conflicts between descriptive text and state diagrams arise, the state diagrams are to take precedence. However, such precedence does not override any explicit description in the text that has no parallel in the state diagrams.

The models presented by state diagrams are intended as the primary specifications of the functions to be provided. However, it is important to distinguish between a model and a real implementation. The models are optimized for simplicity and clarity of presentation, while any realistic implementation may place heavier emphasis on efficiency and suitability to a particular implementation technology. It is the functional behavior of any unit that must match the standard, not its internal structure. The internal details of the model are useful only to the extent that they specify the external behavior clearly and precisely.

### 3.4.1.1 State diagram variables

Once set, variables retain their values as long as succeeding blocks contain no references to them.

Setting the parameter of a formal interface message assures that, on the next transmission of that message, the last parameter value set will be transmitted.

Testing the parameter of a formal interface messages tests the value of that message parameter that was received on the last transmission of said message. Message parameters may be assigned default values that persist until the first reception of the relevant message.

### 3.4.1.2 State transitions

The following terms are valid transition qualifiers:

- a) Boolean expressions;
- b) An event such as the expiration of a timer: timer\_done;
- c) An event such as the reception of a message: PMA\_UNITDATA.indicate;
- d) An unconditional transition: UCT;
- e) A branch taken when other exit conditions are not satisfied: ELSE.

Any open arrow (an arrow with no source block) represents a global transition. Global transitions are evaluated continuously whenever any state is evaluating its exit conditions. When a global transition becomes true, it supersedes all other transitions, including UCT, returning control to the block pointed to by the open arrow.

### 3.4.1.3 Operators

The state machine operators are shown in table 5.

**Table 5 – State diagram operators**

| Character | Meaning                     |
|-----------|-----------------------------|
| *         | Boolean AND                 |
| +         | Boolean OR                  |
| ^         | Boolean XOR                 |
| !         | Boolean NOT                 |
| <         | Less than                   |
| ≤         | Less than or equal to       |
| =         | Equals (a test of equality) |
| ≠         | Not equals                  |

1  
2  
3  
4  
5  
6  
7  
8  
9  
10  
11  
12  
13  
14  
15  
16  
17  
18  
19  
20  
21  
22  
23  
24  
25  
26  
27  
28  
29  
30  
31  
32  
33  
34  
35  
36  
37  
38  
39  
40  
41  
42  
43  
44  
45  
46  
47  
48  
49  
50  
51  
52  
53  
54  
55

**Table 5 – State diagram operators**

|              |                                       |
|--------------|---------------------------------------|
| $\geq$       | Greater than or equal to              |
| $>$          | Greater than                          |
| $()$         | Indicates precedence                  |
| $\leftarrow$ | Assignment operator                   |
| $\in$        | Indicates membership                  |
| $\notin$     | Indicates nonmembership               |
| $ $          | Catenate                              |
| ELSE         | No other state condition is satisfied |

1  
2  
3  
4  
5  
6  
7  
8  
9  
10  
11  
12  
13  
14  
15  
16  
17  
18  
19  
20  
21  
22  
23  
24  
25  
26  
27  
28  
29  
30  
31  
32  
33  
34  
35  
36  
37  
38  
39  
40  
41  
42  
43  
44  
45  
46  
47  
48  
49  
50  
51  
52  
53  
54  
55



## 4 Structure and concepts

### 4.1 Overview

This clause provides an overview of the structure, concepts and mechanisms used in 10GFC.

The Fibre Channel (FC) is logically a bi-directional point-to-point serial data channel, structured for high performance information transport. Physically, Fibre Channel is an interconnection of one or more point-to-point links. Each link end terminates in a Port. Ports are fully specified in FC-FS, FC-PI and FC-AL-2. Fiber is a general term used to cover all physical media supported by Fibre Channel including optical fiber, twisted pair, and coaxial cable.

Fibre Channel is structured as a set of hierarchical functions as illustrated in figure 2. Fibre Channel consists of related functions, FC-0 through FC-4. Each of these functions is described as a level. Fibre Channel does not restrict implementations to specific interfaces between these levels.

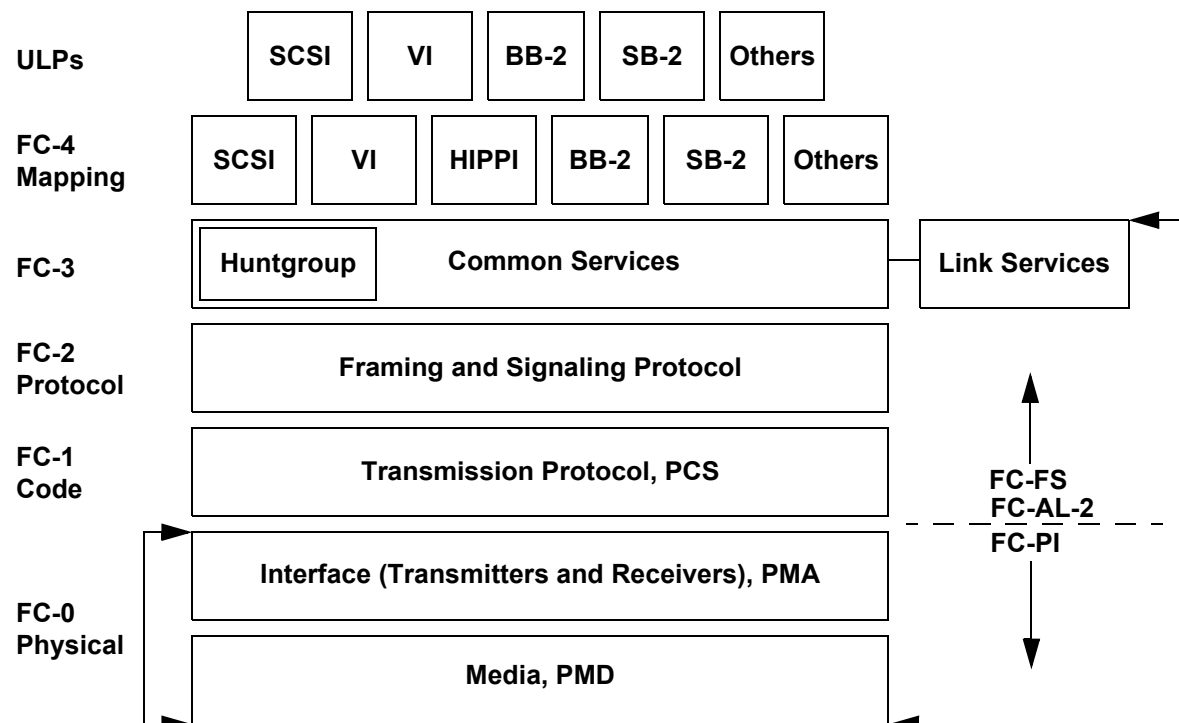


Figure 2 – Fibre channel structure

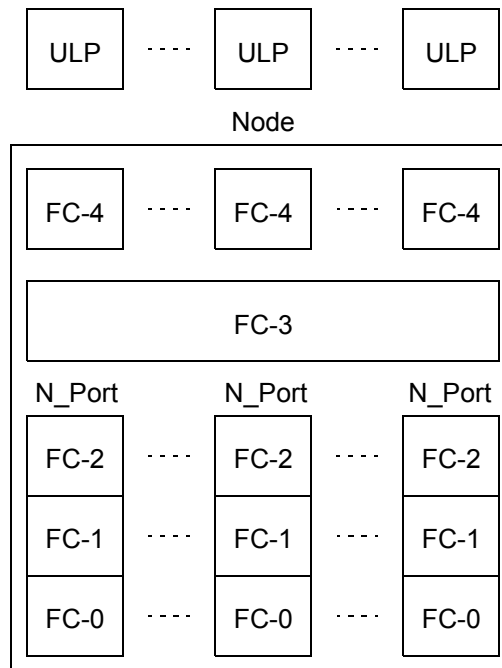
The Physical interface (FC-0), specified in FC-PI, consists of transmission media, transmitters, receivers and their interfaces. The Physical interface specifies a variety of media, and associated drivers and receivers capable of operating at various speeds.

The Transmission protocol (FC-1), Signaling protocol (FC-2) and Common Services (FC-3) are fully specified in FC-FS and FC-AL-2. Fibre Channel levels FC-1 through FC-3 specify the rules and provides mechanisms needed to transfer blocks of information end-to-end, traversing one or more links.

An Upper Level Protocol mapping to FC-FS constitutes an FC-4 which is the highest level in the Fibre Channel structure. FC-2 defines a suite of functions and facilities available for use by an FC-4.

10GFC describes the signaling and physical interface services that may be utilized by an extended version of the FC-2 level to transport data at a rate in excess of 10 gigabits per second over a family of FC-0 physical variants. 10GFC additionally introduces port management functions at the FC-3 level.

A Fibre Channel Node is functionally configured as illustrated in figure 3. A Node may support one or more N\_Ports and one or more FC-4s. Each N\_Port contains FC-0, FC-1 and FC-2 functions. FC-3 optionally provides the common services to multiple N\_Ports and FC-4s.



**Figure 3 – Node functional configuration**

## 4.2 10GFC structure

### 4.2.1 FC-3 general description

The FC-3 level of 10GFC extends the FC-3 levels of FC-FS and FC-AL-2 by adding a Port management interface and register set and low level signaling protocol.

#### 4.2.1.1 Management interface and register set

The Port management interface and register set provides an interconnection between manageable devices within a Port and Port management entities. Port management is specified in clause 15.

### 4.2.2 FC-2 general description

The FC-2 level of 10GFC extends the FC-2 levels of FC-FS and FC-AL-2 to transport data at a rate of 10.2 gigabits per second over a family of 10GFC FC-0 physical variants.

Arbitrated loop functions defined in FC-AL-2 are not supported and outside the scope of this specification. Potential FC-AL-2 ordered set mapping, translations and related topics are provided in annex C for future reference.

### 4.2.3 FC-1 general description

The FC-1 level of 10GFC provides the ability to transport data at a rate of 10,2 Gb/s over a family of FC-0 physical variants. The FC-1 level adapts the Fibre Channel FC-2 level functions to the XGMII interface as defined in 10GbE [13], and expanded in clause 10. The FC-1 level generates continuous data or control characters on the transmit path and expects continuous data or control characters on the receive path. The FC-1 level participates in link fault detection and reporting by monitoring the receive path for status reports that indicate an unreliable link, and generating status reports on the transmit path to report detected link faults to the FC-1 level on the remote end of the link.

10GFC provides the specification of optional physical interfaces applicable to the implementation of 10GFC Ports. In addition, the 10GFC FC-1 level specifies optional electrical interfaces which may be used to interconnect the physical embodiment of various sublayers. These interfaces include the 10 Gigabit Media Independent Interface (XGMII) and the 10 Gigabit Attachment Unit Interface (XAUI). One or both of these interfaces may typically be present within a 10GFC port. 10GFC provides the following FC-1 functions and interfaces.

#### 4.2.3.1 Ordered sets

FC-1 signals convey FC-2 data as well as frame delimiters and control information to be encoded by FC-1 transmission code. The same conveyance exists in the reverse direction. 10GFC Ordered Sets are specified in clause 9.

#### 4.2.3.2 10 Gigabit media independent interface (XGMII)

The 10 Gigabit Media Independent Interface provides a physical instantiation of a 10,2 Gb/s parallel data and control transport within FC-2. Its implementation is typically an internal chip interconnect or chip-to-chip interconnect. The XGMII supports 10,2 Gb/s data transport through its 32-bit wide data and four bit wide control transmit and receive paths.

Though the XGMII is an optional interface, it is used extensively in this standard as a basis for specification of the interface between FC-2 and FC-1. The FC-1 Physical Coding Sublayer (PCS) is specified to the XGMII interface, so if not implemented, a conforming implementation shall behave functionally as if the XGMII were implemented. The XGMII is specified in clause 10.

#### 4.2.3.3 10 Gigabit attachment unit interface (XAUI)

The 10 Gigabit Attachment Unit Interface provides a physical instantiation of a 10,2 Gb/s four lane serial data and control transport within FC-2 or between FC-2 and lower levels including FC-1 and FC-0. The XAUI is an optional interface defined as an XGMII extender. Its implementation is typically a chip-to-chip interconnect including chips within transceiver modules. The XAUI supports 10,2 Gb/s data transport through its four 8B/10B based serial transmit and receive paths. The XAUI is specified in clause 11.

#### 4.2.3.4 8B/10B transmission code

The 8B/10B transmission code is the same as that specified in FC-FS. It is intended for encoding data on four serial lanes at a cumulative data rate of 10,2 Gb/s. 8B/10B transmission code is utilized for both XAUI and four lane PMDs. For PMDs, the four transmitters and receivers may be either optically multiplexed to and from a single fiber optic cable or directly conveyed over four individual fibers. The 8B/10B transmission code as well as its corresponding Physical Coding Sublayer (PCS) and Physical Medium Attachment (PMA) sublayers are specified in clause 12.

#### 4.2.3.5 64B/66B transmission code

The 64B/66B transmission code is a PCS intended for 10,2 Gb/s data transport across a single fiber optic cable. The primary reason for the adoption of this code is to provide minimal overhead above the 10,2 Gb/s serial data rate to allow the use of optoelectronic components developed for other high volume 10 Gb/s communications applications such as SONET OC-192. A secondary reason for use of 64/66B code (with scrambler) was to spread the spectrum of EMI radiation. The 64B/66B transmission code is specified in clause 13.

#### 4.2.3.6 10 Gigabit sixteen bit interface (XSBI)

The 10 Gigabit Sixteen Bit Interface is a PMA that provides a physical instantiation of a 16-bit wide data path that conveys 64B/66B encoded data to and from FC-0. The XSBI is intended to support serial FC-0 variants. The XSBI is specified in clause 14.

#### 4.2.4 FC-0 general description

The FC-0 level of 10GFC describes the Fibre Channel link. The FC-0 level covers a variety of media and associated transmitters and receivers capable of transporting FC-1 data. The FC-0 level is designed for maximum flexibility and allows the use of a large number of technologies to meet the broadest range of Fibre Channel system cost and performance requirements.

##### 4.2.4.1 FC-0 interface overview

The nomenclature used by 10GFC to reference various combinations of components is defined in clause 5.

The link distance capabilities specified in 10GFC are based on ensuring interoperability across multiple vendors supplying the technologies (both transceivers and cable plants) under the tolerance limits specified in 10GFC. Greater link distances may be obtained by specifically engineering a link based on knowledge of the technology characteristics and the conditions under which the link is installed and operated. However, such link distance extensions are outside the scope of 10GFC.

##### 4.2.4.2 Optical physical variants

Multiple optical serial physical full-duplex variants are specified to support the transport of encoded FC-1 data transport over fiber-optic medium. The variants include:

- four quarter speed lanes over individual fibers;
- four quarter speed lanes optically multiplexed over a single fiber, and;
- one full speed lane over one fiber.

The optical interfaces for all physical variants are specified in clause 6. Clause 7 contains the accompanying receptacle specifications. Clause 8 contains the accompanying cable plant specifications. Nomenclature for 10GFC physical variants is specified in 5.2.

1 **5 Functional characteristics**

2  
3 **5.1 General characteristics**

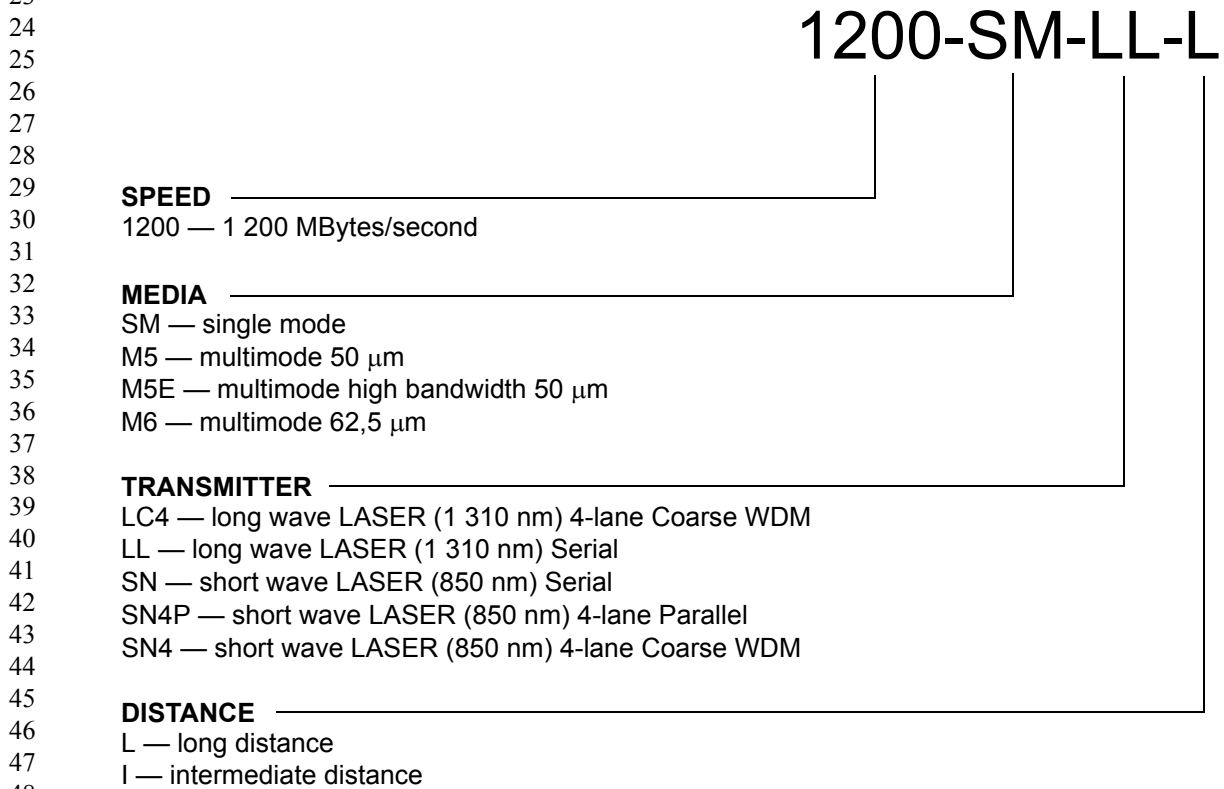
4  
5 FC-PI describes the physical link, the lowest level, in the Fibre Channel system. It is designed for  
6 flexibility and allows the use of several physical interconnect technologies to meet a wide variety of  
7 system application requirements. This 10GFC standard extends FC-PI with multiple physical variants  
8 specified to operate at a data rate of 1 200 MBytes/sec.  
9

10 In the physical media signals a logical “1” shall be represented as the state with the higher optical  
11 power.  
12

13 The FC-FS protocol is defined to operate across connections having a bit error rate (BER) detected  
14 at the receiving node of less than  $10^{-12}$ . It is the combined responsibility of the component suppliers  
15 and the system integrator to ensure that this level of service is provided at every node in a given  
16 Fibre Channel installation. This 10GFC standard extends FC-FS with FC-3, FC-2 and FC-1 level  
17 specifications in support of multiple physical variants.  
18

19 **5.2 10GFC physical variant nomenclature**

20 The nomenclature for the 10GFC physical variants, also referred to as Physical Medium Dependent  
21 (PMD) options are specified in figure 4.  
22



50 **Figure 4 – 10GFC physical variant nomenclature**

51  
52  
53  
54  
55

1  
2  
3  
4  
5  
6  
7  
8  
9  
10  
11  
12  
13  
14  
15  
16  
17  
18  
19  
20  
21  
22  
23  
24  
25  
26  
27  
28  
29  
30  
31  
32  
33  
34  
35  
36  
37  
38  
39  
40  
41  
42  
43  
44  
45  
46  
47  
48  
49  
50  
51  
52  
53  
54  
55

## 6 Optical interface specification

This clause defines the optical signal characteristics at the interface connector receptacle. Each conforming optical FC attachment shall be compatible with this optical interface to allow interoperability within an FC environment. Fibre Channel links shall not exceed the BER objective ( $10^{-12}$ ) under any valid condition. The parameters specified in this clause support meeting that requirement under any valid condition including the minimum input power level. Clause 7 specifies the corresponding interface receptacle. Clause 8 specifies the corresponding cable plant.

The following physical variants (PMDs) are included in this clause:

- 850 nm Parallel (four lane) PMD, type 1200-MX-SN4P-I, specified in this clause;
- 850 nm Serial PMD, type 1200-MX-SN-I, specified in 10GbE [13];
- 850 nm CWDM (four wavelength) PMD, type 1200-MX-SN4-I, specified in this clause;
- 1310 nm Serial PMD, type 1200-SM-LL-L, specified in 10GbE [13];
- 1310 nm CWDM (four wavelength) PMD, type 1200-X-LC4-L, specified in 10GbE [13].

### 6.1 850 nm Parallel (4 lane) PMD, type 1200-MX-SN4P-I

#### 6.1.1 Overview

This clause specifies the four-lane parallel-optic with denomination 1200-MX-SN4P-I PMD (including MDI) and the baseband medium for multimode optical fiber with data transfer rate of 1 200 MB/s. The PMD variants support three different media described by replacing X with “5” for standard 50  $\mu\text{m}$  MMF (500 MHz $\cdot$ km), “5E” for high-bandwidth 50  $\mu\text{m}$  MMF (2 000 MHz $\cdot$ km), and “6” for 62,5  $\mu\text{m}$  MMF (200 MHz $\cdot$ km). Only 1200-M5-SN4P-I PMD specification is normative. The specifications for 1200-M5E-SN4P-I and 1200-M6-SN4P-I are informative. In order to form a complete physical layer, the PMD shall be integrated with the appropriate physical sublayers and management functions as specified in table 6.

**Table 6 – 1200-MX-SN4P-I PMD type and associated sublayer and clause**

| Sublayer   | Clause | 1200-MX-SN4P-I |
|--|--------|----------------|
| FC-1   | 9      | Required       |
| XGMII <sup>1</sup>   | 10     | Optional       |
| XGXS and XAUI  | 11     | Optional       |
| PCS/PMA  | 12     | Required       |
| Management   | 15     | Optional       |
| Notes:   |        |                |
| 1 The XGMII is an optional interface. However, if the XGMII is not implemented, a conforming implementation must behave functionally as though XGMII were present. |        |                |

The services provided by the 1200-MX-SN4P-I PMD are specified in 10GbE [13].

#### 6.1.2 PMD MDIO function mapping

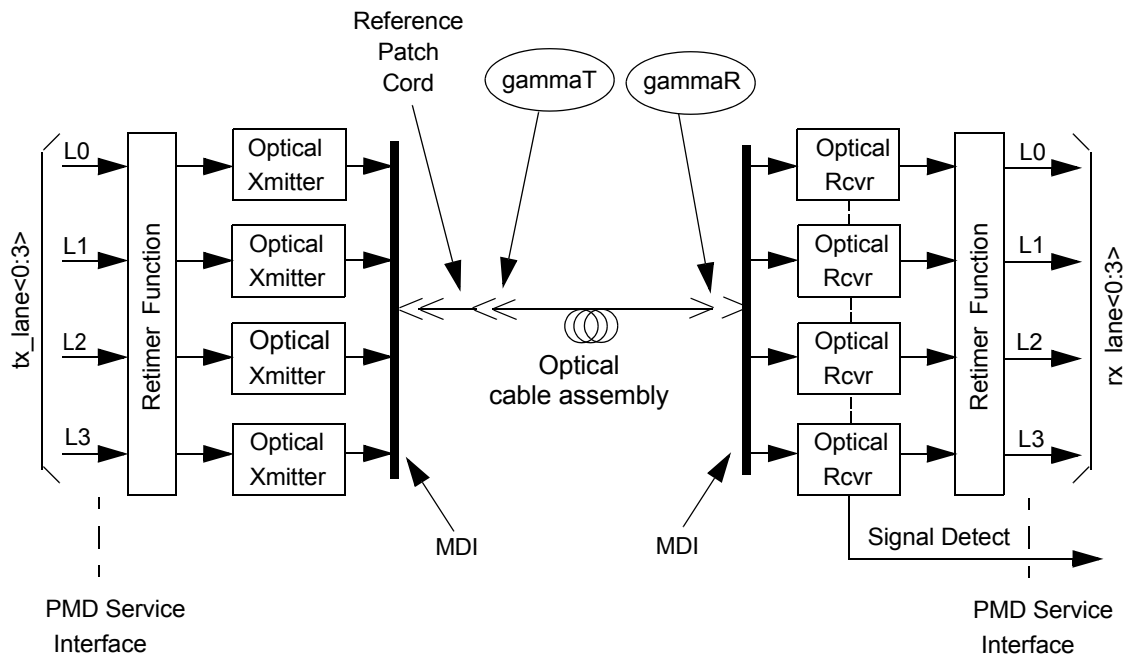
Specified in 10GbE [13].

### 6.1.3 PMD functional specifications

The 1200-MX-SN4P-I PMDs perform the Transmit and Receive functions which convey data between the PMD service interface and the MDI plus various management functions if the optional MDIO is implemented.

#### 6.1.3.1 PMD block diagram

The PMD block diagram is shown in figure 5. For purposes of system conformance, the PMD sublayer is standardized at the points described in this subclause. The optical transmit signal is defined at the output end of a reference patch cord ( $\gamma_T=TP2$ ), between 0,5 and 5 meters in length, of a type consistent with the link type connected to the transmitter receptacle defined in 7.2. Unless specified otherwise, all transmitter measurements and tests defined in 6.1.6 are made at  $\gamma_T$ . The optical receive signal is defined at the output of the fiber optic cabling ( $\gamma_R=TP3$ ) at the MDI (see 7.2). Unless specified otherwise, all receiver measurements and tests defined in 6.1.6 are made at  $\gamma_R$ .



Notes:

1. Specification of the retimer function is beyond the scope of this standard, however a retimer may be required to ensure compliance at test points  $\gamma_T$  and  $\gamma_R$ .

Figure 5 – Block diagram for one direction of the 1200-MX-SN4P-I PMD signal paths

#### 6.1.3.2 PMD transmit function

The PMD Transmit function shall convert the four electronic bit streams requested by the PMD service interface message PMD\_UNITDATA.request ( $tx\_bit<0:3>$ ) into four separate optical signal streams for transmission over  $tx\_lane<0:3>$ . The four optical signal streams shall then be delivered to the MDI, all according to the transmit optical specifications in this clause. The higher optical power level in each signal stream shall correspond to a  $tx\_bit = ONE$ .



### 6.1.3.3 PMD receive function

When the PMD\_loopback function is not enabled, the PMD Receive function shall convert the four optical signal streams into four electronic bit streams for delivery to the PMD service interface using the message PMD\_UNITDATA.indicate(rx\_bit<0:3>) received over rx\_lane<0:3>, all according to the receive optical specifications in this clause. The higher optical power level in each signal stream shall correspond to a rx\_bit = ONE.

When the MDIO PMD\_loopback function is enabled, the PMD shall convey the bits received from the PMD\_UNITDATA.request(tx\_bit<0:3>) service primitive to the PMD service interface using the message PMD\_UNITDATA.indicate(rx\_bit<0:3>), where rx\_bit<0:3> = tx\_bit<0:3>.

### 6.1.3.4 Global PMD signal detect function

The Global PMD Signal detect function shall report the state of SIGNAL\_DETECT via the PMD service interface. The SIGNAL\_DETECT parameter is signaled continuously, while the PMD\_SIGNAL.indicate message is generated when a change in the value of SIGNAL\_DETECT occurs.

SIGNAL\_DETECT shall be global indicator of the presence of optical signals on all four lanes generated according to the conditions defined in table 7. The PMD receiver is not required to verify whether a compliant 1200-MX-SN4P-I signal is being received. This standard imposes no response time requirements on the generation of the SIGNAL\_DETECT parameter.

**Table 7 – SIGNAL\_DETECT value definition**

| Receive Conditions  | SIGNAL_DETECT OK Value |
|---|------------------------|
| For any lane; Input_optical_power $\leq$ -30 dBm average power  | FAIL                   |
| For all lanes;<br>[(Input_optical_modulation_amplitude $\geq$ -13 dBm)<br>AND<br>(compliant 1200-MX-SN4P-I signal input)] | OK                     |
| All other conditions  | Unspecified            |

As an unavoidable consequence of the requirements for the setting of the SIGNAL\_DETECT parameter, implementations must provide adequate margin between the input optical power level at which the SIGNAL\_DETECT parameter is set to OK, and the inherent noise level of the PMD due to crosstalk, power supply noise, etc.

Various implementations of the SIGNAL\_DETECT function are permitted by this standard, including implementations which generate the SIGNAL\_DETECT parameter values in response to the amplitude of the modulation of the optical signal and implementations which respond to the average optical power of the modulated optical signal.

### 6.1.3.5 PMD lane by lane SIGNAL\_DETECT function (optional)

The PMD lane by lane SIGNAL\_DETECT function is optional. When the MDIO is implemented, each PMD\_signal\_detect\_x value shall be set continuously in response to its associated lane, according to the requirements of table 7.

### 6.1.3.6 PMD reset function

If the MDIO interface is implemented, and if PMD\_reset is asserted, the PMD shall be reset as defined in clause 15.

### 6.1.3.7 Global PMD transmit disable function (optional)

The Global\_PMD\_transmit\_disable function is optional and allows all of the optical transmitters to be disabled. When a Global\_PMD\_transmit\_disable variable is set to ONE, this function shall turn off all of the optical transmitters so that each transmitter meets the requirements of the Average Launch Power of the OFF Transmitter in table 9.

### 6.1.3.8 PMD lane by lane transmit disable function (optional)

The PMD\_transmit\_disable function is optional and allows the optical transmitters in each lane to be selectively disabled. When a PMD\_transmit\_disable\_x variable is set to ONE, this function shall turn off the optical transmitter associated with that variable so that the transmitter meets the requirements of the Average Launch Power of the OFF Transmitter in table 9.

### 6.1.3.9 PMD local fault function

If the MDIO is implemented, and the PMD has detected a local fault on any of the transmit or receive paths, the PMD shall set PMD\_local\_fault to ONE.

If a PMD detects a fault on a transmit path, then the PMD shall turn off the optical transmitter in each lane and may set the Global\_PMD\_transmit\_disable and each PMD\_transmit\_disable\_x to ONE.

### 6.1.3.10 PMD transmit local fault function (optional)

The PMD\_transmit\_local\_fault function is optional. The faults detected by this function are implementation specific.

If the MDIO is implemented, and the PMD has detected a local fault on a transmit path x, the PMD shall set the associated PMD\_transmit\_local\_fault\_x variable to ONE.

### 6.1.3.11 PMD receive local fault function (optional)

The PMD\_receive\_local\_fault function is optional. The faults detected by this function are implementation specific.

If the MDIO is implemented, and the PMD has detected a local fault on a receive path x, the PMD shall set the associated PMD\_receive\_local\_fault\_x variable to ONE.

## 6.1.4 Operating ranges

The operating ranges for 1200-MX-SN4P-I PMDs are defined in table 8. Only 1200-M5-SN4P-I PMD specification is normative. The specifications for 1200-M5E-SN4P-I and 1200-M6-SN4P-I are informative. The specification for an 1200-MX-SN4P-I compliant transceiver supports all media types listed in table 8. A transceiver which exceeds the operational range requirement while meeting all other optical specifications is considered compliant.

1  
2  
3  
4  
5  
6  
7  
8  
9  
10  
11  
12  
13  
14  
15  
16  
17  
18  
19  
20  
21  
22  
23  
24  
25  
26  
27  
28  
29  
30  
31  
32  
33  
34  
35  
36  
37  
38  
39  
40  
41  
42  
43  
44  
45  
46  
47  
48  
49  
50  
51  
52  
53  
54  
55

**Table 8 – Operating range for 1200-MX-SN4P-I over each optical fiber type**

| Fiber type and bandwidth <sup>1</sup>  |                           | Minimum range |
|--|---------------------------|---------------|
| 62,5 µm MMF  | 200 MHz•km                | 0,5 to 75 m   |
| 50 µm MMF  | 500 MHz•km                | 0,5 to 150 m  |
| 50 µm MMF  | 2 000 MHz•km <sup>2</sup> | 0,5 to 300 m  |
| Notes:<br>1 Over-filled launch bandwidth per TIA/EIA-455-204.<br><br>2 Effective modal bandwidth per TIA/EIA-492AAAC, detail specification for 850 nm laser optimized 50 µm MMF. Minimum fiber bandwidth under OFL conditions is 1 500 MHz•km. The 1200-M5E-SN4P-I PMD does not require compliance with restricted launch per IEC PAS 60793-1-49 or TIA/EIA-455-220. |                           |               |

**6.1.5 PMD to MDI optical specifications for 1200-MX-SN4P-I****6.1.5.1 Transmitter optical specifications**

The 1200-MX-SN4P-I transmitters shall meet the specifications defined in table 9 per measurement techniques defined in 6.1.6. Transmit jitter and eye mask specifications shall be met with all four lanes of the transmitter and all four lanes of the receiver carrying compliant 10GFC data.

**Table 9 – Transmit characteristics for the 1200-MX-SN4P-I PMD**

| Description   | 1200-M5-SN4P-I<br>1200-M5E-SN4P-I<br>1200-M6-SN4P-I | Units |
|---|---|-------|
| Transmitter Type  | Short-wave Laser                                    |       |
| Signaling speed per lane  | 3,187 5 ± 100 ppm                                   | GBd   |
| Center wavelength (range)   | 830 - 860   | nm    |
| RMS spectral width (max)  | 0,85  | nm    |
| Rise/Fall times <sup>1</sup> (max)  | 115   | ps    |
| Average Launch power (max) <sup>2</sup>   | -2  | dBm   |
| Optical Modulation Amplitude (min)  | -7  | dBm   |
| Average launch power of OFF transmitter (max)   | -30   | dBm   |
| RIN <sub>12</sub> (OMA)   | -118  | dB/Hz |
| Notes:<br>1 Unfiltered 20% to 80% rise/fall times.<br><br>2 Lesser of receiver maximum input average power and Acceptable Exposure Limit allowed by applicable laser safety classification as defined in 6.1.7.2. |   |       |

### 6.1.5.2 Receive optical specifications

The 1200-MX-SN4P-I receiver shall meet the specifications defined in table 10 per measurement techniques defined in 6.1.6. Receiver sensitivity specifications are to be met with all four lanes of the transmitter and all four lanes of the receiver carrying compliant 10GFC data.

**Table 10 – Receive characteristics for the 1200-MX-SN4P-I PMD**

| Description  | 1200-M5-SN4P-I   | 1200-M5E-SN4P-I | 1200-M6-SN4P-I | Unit |
|--|------------------|-----------------|----------------|------|
| Nominal signaling speed per lane   | 3,187 5 ±100 ppm |                 |                | GBd  |
| Center wavelength range  | 830 - 860        |                 |                | nm   |
| Average receive power (max)  | -2               |                 |                | dBm  |
| Return loss (min)  | 12               |                 |                | dB   |
| Receive OMA (max)  | -13              |                 |                | dBm  |
| Stressed receive OMA <sup>1</sup>  | -10,8            | -11,1           | -10,4          | dBm  |
| Vertical eye closure penalty <sup>2</sup>  | 2,2              | 1,9             | 2,6            | dB   |
| Horizontal eye closure <sup>3</sup>  | 14               |                 |                | ps   |
| Receive -3 dB electrical upper cutoff frequency (max)  | 3 750            |                 |                | MHz  |
| Notes:   |                  |                 |                |      |
| 1 Measured with test signal at gammaR for BER = 10 <sup>-12</sup> at the eye center.   |                  |                 |                |      |
| 2 Vertical eye closure penalty is a test condition for measuring stressed receive sensitivity. The sampling instant is defined to occur at the eye center. It is not a required characteristic of the receiver.                        |                  |                 |                |      |
| 3 Horizontal eye closure (reduction of pulse width caused by the duty-cycle distortion component of deterministic jitter) is a test condition for measuring stressed receiver sensitivity. It is not a characteristic of the receiver. |                  |                 |                |      |

### 6.1.5.3 Transmit jitter specification

Transmit jitter specifications are as defined for 10GBASE-LX4 PMD in 10GbE [13] with the following exceptions:

- The BER mask is defined for  $10^{-12} < \text{BER} < 10^{-5}$ ;
- The BERT mask specifications are defined in table 11;
- Channel compliance specified in 6.1.5.3.1;
- Test Patterns specified in 6.1.5.3.2.

**Table 11 – BERT mask specifications**

| PMD            | W (UI pk to pk) | $\sigma$ (UI rms) |
|----------------|-----------------|-------------------|
| 1200-MX-SN4P-I | 0,3             | 0,015             |

#### 6.1.5.3.1 Channel requirements for transmit jitter testing

The optical channel for 1200-MX-SN4P-I shall meet the requirements in table 9 for the case of a 0,5 to 5 meter reference patch cord.

**6.1.5.3.2 GammaR Test pattern requirements for transmit jitter testing**

Test patterns for 1200-MX-SN4P-I are specified in annex E.

**6.1.5.4 Receive jitter tolerance specification**

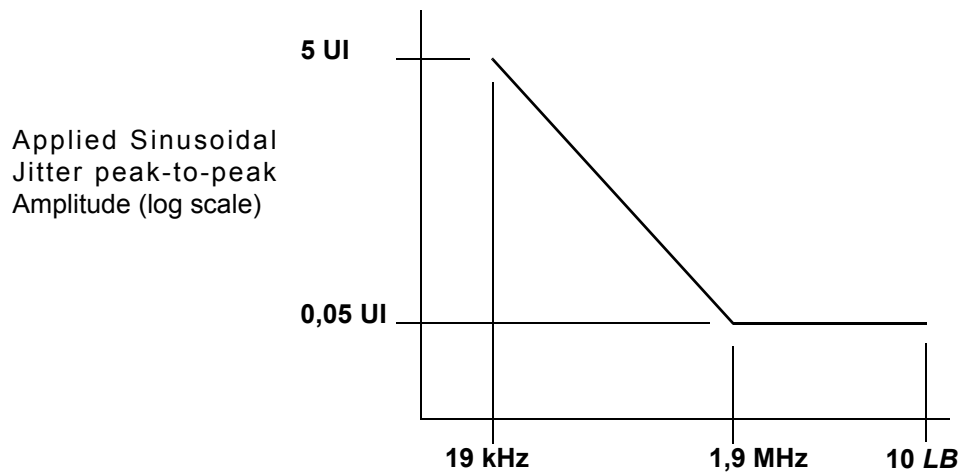
The jitter compliance methodology for the receiver is defined as for 10GBASE-LX4 in 10GbE [13] with the following exceptions:

- a) The BER mask is defined for  $10^{-12} < \text{BER} < 10^{-5}$ ;
- b) The random jitter (RJ) component of the input signal shall have uniform spectral content over the measurement frequency range of 19 kHz to 1,5 GHz;
- c) Receiver input jitter mask parameters are given in table 11;
- d) Sinusoidal jitter specification is given in 6.1.5.4.1.

The test method for verification of the input jitter is defined by 10GBASE-SR "Stressed receiver conformance test" defined in 10GbE [13].

**6.1.5.4.1 Added sinusoidal jitter for receiver jitter test**

The sinusoidal jitter used to test receiver jitter tolerance shall meet the requirements of table 12. Sinusoidal jitter shall be added to the test signal..



**Figure 6 – Mask of the sinusoidal component of jitter tolerance (informative)**

**6.1.6 Optical measurement requirements**

Optical measurement test procedures, filter requirements and equipment are defined as for 10GBASE-SR in 10GbE [13]. All testing is to be performed with a 10GFC compliant stimulus at

**Table 12 – Applied Sinusoidal Jitter**

| Frequency Range  | Sinusoidal Amplitude Jitter (UI pk-to-pk) |
|--|---|
| $f < 19$ kHz   | NA  |
| $19 \text{ kHz} < f < 1,9 \text{ MHz}$   | $\frac{95000}{f}$                         |
| $1,9 \text{ MHz} (3 \text{ 187,5Mbs/1 667}) < f < 10 \text{ LB}^1$   | 0,05                                      |
| Notes:<br>1 LB = Loop Bandwidth. Upper frequency bound for 0,05 UI added sinusoidal jitter shall be at least 10 times loop bandwidth of the receiver being tested. |   |

3,187 5 GBd per lane with all test and measurement timing requirements scaled accordingly. Specifically, the following exceptions apply:

- a) All optical measurements shall be made through a short reference patch cable, between 0,5 and 5 meters in length;
- b) All references to “test patterns” are referred to test patterns specified in 6.1.5.3.2. A pattern consisting of four to eleven consecutive ones followed by an equal run of consecutive zeros may be used as a square wave;
- c) The transfer function of the fourth-order Bessel-Thomson filter shall be as defined for 10GBASE-LX4 in 10GbE [13];
- d) Golden PLL shall have low-frequency corner of 1,9 MHz;
- e) The transmitter jitter conformance test shall be performed with transversal filter with two equal amplitude paths with a differential delay of 100 ps;
- f) The vertical eye closure and the duty-cycle distortion specification for the stressed receiver test are 2,2 dB and 14 ps, respectively. These parameters also given in table 10;
- g) The upper -3 dB limit of the relative intensity noise measurement apparatus shall be approximately equal 3,125 GHz;
- h) The BER mask for transmit jitter test procedure is defined between  $10^{-12}$  and  $10^{-5}$ .

## 6.1.7 Environmental specifications

### 6.1.7.1 General safety

All equipment meeting this standard shall conform to IEC-60950-1.

### 6.1.7.2 Laser safety

The 1200-MX-SN4P-I optical transceivers shall be certified to be in conformance to the International Electrotechnical Commission (IEC) Standard Publication EN 60825-1, “Safety of Laser Products—Part 1: Equipment Classification, Requirements and User’s Guide”, 1st edition (11/1993) and the Amendment 2 (2001-01). IEC/EN 60825-1 Class 1 laser safe operation is allowed for this PMD. The laser emission level from 1200-MX-SN4P-I optical transceivers shall not exceed the Acceptable Exposure Limit of IEC/EN 60825-1 Class 1M laser under any condition of operation.

1 Conformance to additional laser safety standards may be required for operation within specific  
2 geographic regions.

3  
4 Laser safety standards and regulations require that the manufacturer of a laser product provide  
5 information about the product's laser, safety features, labeling, use, maintenance and service. This  
6 documentation shall explicitly define requirements and usage restrictions on the host system  
7 necessary to meet these safety certifications.<sup>2</sup>

### 8 9 **6.1.7.3 Installation**

10  
11 It is recommended that proper installation practices, as defined by applicable local codes and  
12 regulation including TIA standard TIA 568B (Fiber Optic Installation Compliant with Commercial  
13 Building Wiring Standards Proposed), be followed in every instance in which such practices are  
14 applicable.

### 15 16 **6.1.8 Environment**

17  
18 Normative specifications in this clause shall be met by a system integrating a 1200-MX-SN4P-I PMD  
19 over the life of the product while the product operates within the manufacturer's range of  
20 environmental, power, and other specifications.

21  
22 It is recommended that manufacturers indicate in the literature associated with the PHY the operating  
23 environmental conditions to facilitate selection, installation, and maintenance.

24  
25 It is recommended that manufacturers indicate, in the literature associated with the components of  
26 the optical link, the operating environmental conditions over which the specifications of this clause  
27 will be met.

#### 28 29 **6.1.8.1 Electromagnetic emission**

30  
31 A system integrating a 1200-MX-SN4P-I PMD shall comply with applicable local, national and  
32 international codes for the limitation of electromagnetic interference.

#### 33 34 **6.1.8.2 Temperature, humidity, and handling**

35  
36 The optical link is expected to operate over a reasonable range of environmental conditions related to  
37 temperature, humidity, and physical handling (such as shock and vibration). Specific requirements  
38 and values for these parameters are considered to be beyond the scope of this International  
39 Standard.

#### 40 41 **6.1.9 PMD labeling requirements**

42  
43 It is recommended that each PHY (and supporting documentation) be labeled in a manner visible to  
44 the user with at least the following parameters, according to the PMD MDI type:

- 45 a) PMD MDI type 1200-MX-SN4P-I;
- 46
- 47 b) Applicable safety warnings.
- 48

49 Labeling requirements for Class 1M lasers are given in the laser safety standards referenced in  
50 6.1.7.2.

51  
52 \_\_\_\_\_  
53 <sup>2</sup> A host system that fails to meet the manufacturers requirements and/or usage restrictions may emit  
54 laser radiation in excess of the safety limits of one or more safety standards. In such a case, the host  
55 manufacturer is required to obtain its own laser safety certification.

## 6.2 850 nm Serial PMD, type 1200-MX-SN-I

This clause specifies the 850 nm serial optical physical variant with denomination 1200-MX-SN-I and the baseband medium for multimode optical fiber with data transfer rate of 1 200 MB/s. The 850 nm Serial specification for 10GFC is based on the 10GbE [13] for 10GBASE-SR links.

### 6.2.1 Optical specifications

The optical specifications and link parameters for 850 nm Serial links are defined for 10GBASE-SR in 10GbE [13]. 10GFC shall use the same transmit and receive optical interface and budget specifications and measurements, with the following notes and exceptions:

- a) The nominal signaling speed shall be set to 10,518 75 GBaud  $\pm$  100 ppm;
- b) The jitter and eye mask coordinates, expressed in unit intervals (UI) shall remain the same as in 10GbE [13]. In terms of absolute time, this imposes slightly more stringent requirements for both transmitters and receivers;
- c) Due to the slightly faster signaling rate, optical power penalties are slightly greater for 10GFC than for 10GbE [13]. However, 10GbE [13] specifications include sufficient optical (unallocated) power margin to absorb the penalties such that the distance specifications in 10GbE [13] can still be met for 10GFC;
- d) Additional insertion losses allowed for cable plant variations supported by this interface may show slightly different values than for 10GbE [13] (see clause 8);
- e) Although the analysis tool used to develop many of the specifications suggests different vertical eye closure penalty and stressed receiver sensitivity OMA values for 10GFC, the differences in combination are minor, and the values documented in 10GbE [13] shall apply;
- f) The test cable for optical transmitter tests shall meet the requirements of clause 8 including minimum length of 0,5 meters (the minimum length for 10GbE [13] is 2 meters).

### 6.2.2 Jitter, measurement and safety specifications

The specifications for 10GFC jitter, optical measurement techniques and safety are defined in 10GbE [13]. 10GFC shall use the test pattern defined for use with 10GBASE-SR links.



## 6.3 850 nm CWDM (four wavelength) PMD, type 1200-MX-SN4-I

### 6.3.1 Overview

This clause specifies the Coarse Wavelength Division Multiplexed (four wavelength) PMD with denomination 1200-MX-SN4-I PMD (including MDI) and the baseband medium for multimode optical fiber with data transfer rate of 1 200 MB/s. The PMD variants support three different media described by replacing X with “5” for standard 50  $\mu\text{m}$  MMF (500 MHz $\cdot$ km), “5E” for high-bandwidth 50  $\mu\text{m}$  MMF (2 000 MHz $\cdot$ km), and “6” for 62,5  $\mu\text{m}$  MMF (200 MHz $\cdot$ km). In order to form a complete physical layer, the PMD shall be integrated with the appropriate physical sublayers and management functions as specified in table 13.

The 1200-MX-SN4-I PMD is functionally similar to the 1200-X-LC4-X PMD described in 6.5, which in turn is specified in 10GbE [13]. Functional similarity with 10GbE includes all PMD monitor and control functions, jitter specifications, test and measurements methods, etc. This clause will specify only deviations from 10GbE [13].

**Table 13 – 1200-MX-SN4-I PMD type and associated sublayer and clause**

| Sublayer      | Clause | 1200-MX-SN4-I |
|---------------|--------|---------------|
| FC-1          | 9      | Required      |
| XGMII         | 10     | Optional      |
| XGXS and XAUI | 11     | Optional      |
| PCS/PMA       | 12     | Required      |
| Management    | 15     | Optional      |

### 6.3.2 Wavelength-division multiplexed-lane assignments

The wavelength ranges for each multiplexed lane of the 1200-M5-SN4-I PMD are defined in table 14.

**Table 14 – Wavelength-division-multiplexed lane assignments**

| Lane           | Wavelength Range | PMD Service Interface Transmit Bit Stream | PMD Service Interface Receive Bit Stream |
|----------------|------------------|---|--|
| L <sub>0</sub> | 772,5 - 783,6 nm | tx_lane<0>                                | rx_lane<0>                               |
| L <sub>1</sub> | 795,2 - 806,5 nm | tx_lane<1>                                | rx_lane<1>                               |
| L <sub>2</sub> | 819,4 - 830,8 nm | tx_lane<2>                                | rx_lane<2>                               |
| L <sub>3</sub> | 845,0 - 856,6 nm | tx_lane<3>                                | rx_lane<3>                               |

### 6.3.3 Operating ranges

The operating ranges for 1200-MX-SN4-I are specified in clause 8.

### 6.3.4 Transmitter optical specifications

The 1200-MX-SN4-I transmitter shall meet the specifications of table 15 per measurement techniques defined in 10GbE [13].

**Table 15 – Transmit characteristics**

| Description   | 62,5 μm MMF, 50 μm MMF   | Units    |
|---|--|----------|
| Transmitter Type  | Short-wave Laser   |          |
| Signaling speed per lane (nominal)                      | 3,187 5 +/- 100 ppm  | GBd      |
| Lane wavelengths (range)                                | 772,5 - 783,6<br>795,2 - 806,5<br>819,4 - 830,8<br>845,0 - 856,6 | nm       |
| Trise/Tfall (max. 20-80% response time)                 | 110  | ps       |
| RMS spectral width (max)                                | 0,5  | nm       |
| Average launch power, four lanes (max)                  | 5,5  | dBm      |
| Average launch power, per lane (max)                    | -0,50  | dBm      |
| Optical Modulation Amplitude (OMA), per lane (max)      | 750 (-1,25)  | μW (dBm) |
| Optical Modulation Amplitude (OMA), per lane (min)      | 237 (-6,25)  | μW (dBm) |
| Average launch power of OFF transmitter, per lane (max) | -30  | dBm      |
| RIN <sub>12</sub> (OMA)                                 | -120   | dB/Hz    |

### 6.3.5 Receive optical specifications

The 1200-M5-SN4-I receiver shall meet the specifications defined in table 16 per measurement techniques defined in 10GbE [13]. The sampling instant is defined to occur at the eye center.

**Table 16 – 1200-MX-SN4-I receive characteristics**

| Description   | 62,5μm MMF<br>(200 MHz•km)                                       | 50μm MMF<br>(500 MHz•km) | 50μm MMF<br>(2000 MHz•km) | Unit     |
|---|--|--------------------------|---------------------------|----------|
| Signaling speed per lane (nominal)  | 3,187 5 +/- 100 ppm  |                          |                           | GBd      |
| Lane wavelengths (range)  | 772,5 - 783,6<br>795,2 - 806,5<br>819,4 - 830,8<br>845,0 - 856,6 |                          |                           | nm       |
| Average receive power, four lanes (max)   | 5,5  |                          |                           | dBm      |
| Average receive power, per lane (max)   | -0,5   |                          |                           | dBm      |
| Return loss (min)   | 12   |                          |                           | dB       |
| Receive sensitivity, per lane (OMA)   | 37,6 (-14,25)  | 37,6 (-14,25)            | 37,6 (-14,25)             | μW (dBm) |
| Stressed receive sensitivity <sup>1</sup> , per lane (OMA)  | 87,8 (-10,6)   | 88,1 (-10,5)             | 64,0 (-11,9)              | μW (dBm) |
| Vertical eye closure penalty <sup>2</sup> , per lane  | 3,6  | 3,7                      | 2,3                       | dB       |
| Receive electrical 3 dB upper cutoff frequency, per lane (max)  | 3 750  |                          |                           | MHz      |
| Notes:  |  |                          |                           |          |
| 1 Measured with conformance test signal at gammaR for BER = 10 <sup>-12</sup> at the eye center.  |  |                          |                           |          |
| 2 Vertical eye closure penalty is a test condition for measuring stressed receive sensitivity. It is not a required characteristic of the receiver. |  |                          |                           |          |

1 **6.3.6 Eye Safety**

2  
3  
4  
5  
6  
7  
8  
9  
10  
11  
12  
13  
14  
15  
16  
17  
18  
19  
20  
21  
22  
23  
24  
25  
26  
27  
28  
29  
30  
31  
32  
33  
34  
35  
36  
37  
38  
39  
40  
41  
42  
43  
44  
45  
46  
47  
48  
49  
50  
51  
52  
53  
54  
55

The 1200-M5-SN4-I optical transceivers shall be certified to be in conformance to the International Electrotechnical Commission (IEC) Standard Publication EN 60825-1, "Safety of Laser Products—Part 1: Equipment Classification, Requirements and User's Guide", 1st edition (11/1993) and the Amendment 2 (2001-01). IEC/EN 60825-1 Class 1 laser safe operation is allowed for this PMD. The laser emission level from 1200-M5-SN4-I optical transceivers shall not exceed the Acceptable Exposure Limit of IEC/EN 60825-1 Class 1M laser under any condition of operation.

Conformance to additional laser safety standards may be required for operation within specific geographic regions.

Laser safety standards and regulations require that the manufacturer of a laser product provide information about the product's laser, safety features, labeling, use, maintenance and service. This documentation shall explicitly define requirements and usage restrictions on the host system necessary to meet these safety certifications.<sup>3</sup>

---

<sup>3</sup> A host system that fails to meet the manufacturers requirements and/or usage restrictions may emit laser radiation in excess of the safety limits of one or more safety standards. In such a case, the host manufacturer is required to obtain its own laser safety certification.

## **6.4 1310 nm Serial PMD, type 1200-SM-LL-L**

This clause specifies the 1310 nm serial optical physical variant with denomination 1200-SM-LL-L and the baseband medium for single mode optical fiber with data transfer rate of 1 200 MB/s. The longwave specification for 10GFC is based on 10GbE [13] optical specification for 10GBASE-LR links.

### **6.4.1 Optical specifications**

The optical specifications and link parameters for 10GFC longwave links are defined for 10GBASE-LR in 10GbE [13]. 10GFC shall use the same transmit and receive optical interface and budget specifications and measurements, with the following notes and exceptions:

- a) The nominal signaling speed shall be set to 10,518 75 GBaud  $\pm$  100 ppm;
- b) The jitter and eye mask coordinates, expressed in unit intervals (UI) shall remain the same as in 10GbE [13]. In terms of absolute time, this imposes slightly more stringent requirements for both transmitters and receivers;
- c) Due to the slightly faster signaling rate, optical power penalties are slightly greater for 10GFC than for 10GbE [13]. However, 10GbE [13] specifications include sufficient optical (unallocated) power margin to absorb the penalties such that the distance specifications in 10GbE [13] can still be met for 10GFC;
- d) Although the analysis tool used to develop many of the specifications suggests different vertical eye closure penalty and stressed receiver sensitivity OMA values for 10GFC, the differences in combination are minor, and the values documented in 10GbE [13] shall apply.

### **6.4.2 Jitter, measurement and safety specifications**

The specifications for 10GFC jitter, optical measurement techniques and safety are defined in 10GbE [13]. 10GFC will use the test pattern defined for use with 10GBASE-R links.

## 6.5 1310 nm CWDM (four wavelength) PMD, type 1200-X-LC4-L

This clause specifies the 1310 nm serial optical physical variant with denomination 1200-X-LC4-L and the baseband medium for single mode or multimode optical fiber with data transfer rate of 1 200 MB/s. The longwave specification for 10GFC is based on 10GbE [13] optical specification for 10GBASE-LX4 links.

### 6.5.1 Optical specifications

The optical specifications and link parameters for 10GFC longwave links are defined for 10GBASE-LX4 in 10GbE [13]. 10GFC shall use the same transmit and receive optical interface and budget specifications and measurements, with the following notes and exceptions:

- a) The nominal signaling speed shall be set to 3,187 5 GBaud  $\pm$  100 ppm;
- b) The jitter and eye mask coordinates, expressed in unit intervals (UI) shall remain the same as in 10GbE [13]. In terms of absolute time, this approach imposes slightly more stringent requirements for both transmitters and receivers;
- c) Due to the slightly faster signaling rate, optical power penalties are slightly greater for 10GFC than for 10GbE [13]. In the case of single-mode specifications, 10GbE [13] specifications include sufficient optical (unallocated) power margin to absorb the penalties such that the distance specifications in 10GbE [13] can still be met for 10GFC. However, for multi-mode specifications, the maximum specified distances for 10GFC are less than those for 10GbE [13] by 10 meters;
- d) Additional insertion losses allowed for cable plant variations supported by this interface may show slightly different values than for 10GbE [13] (see clause 8);
- e) Although the analysis tool used to develop many of the specifications suggests different vertical eye closure penalty and stressed receiver sensitivity OMA values for 10GFC, the differences in combination are minor, and the values documented in 10GbE [13] shall apply;
- f) The test pattern for system level jitter compliance measurements shall be as documented in annex E;

### 6.5.2 Jitter, measurement and safety specifications

The specifications for 10GFC jitter, optical measurement techniques and safety are defined in 10GbE [13]. For 10GFC system testing that requires a long or mixed pattern, the test pattern defined in Annex E should be used; for component testing, test pattern(s) defined for 10GBASE-LX4 in 10GbE [13] or in Annex E may be used as appropriate.

1  
2  
3  
4  
5  
6  
7  
8  
9  
10  
11  
12  
13  
14  
15  
16  
17  
18  
19  
20  
21  
22  
23  
24  
25  
26  
27  
28  
29  
30  
31  
32  
33  
34  
35  
36  
37  
38  
39  
40  
41  
42  
43  
44  
45  
46  
47  
48  
49  
50  
51  
52  
53  
54  
55

## 7 Optical interface receptacle specification

This clause defines the optical interface receptacle which constitutes the Port side of the optical interface connector assembly. The primary function of the optical interface connector is to align the optical transmission fiber mechanically to an optical port on a component such as a receiver or a transmitter. Clause 6 specifies the corresponding optical interface. Clause 8 specifies the corresponding cable plant.

Two receptacle types are included in this clause, one for single fiber per data direction optical interfaces, the other for four fiber per data direction optical interfaces. The following optical interfaces utilize a single fiber per data direction:

- 1310 nm Serial. The optical interface receptacle is fully specified in FC-PI and FC-PI-2;
- 1310 nm CWDM (four wavelength). The optical interface receptacle is fully specified in FC-PI and FC-PI-2;
- 850 nm Serial. The optical interface receptacle is fully specified in FC-PI and FC-PI-2;
- 850 nm CWDM (four wavelength). The optical interface receptacle is fully specified in FC-PI and FC-PI-2.

The following optical interfaces utilize four fibers per data direction:

- 850 nm Parallel (four lane TX and four lane Rx) Optics. The optical interface connector and receptacle are fully specified in this clause.

### 7.1 Optical interface connector

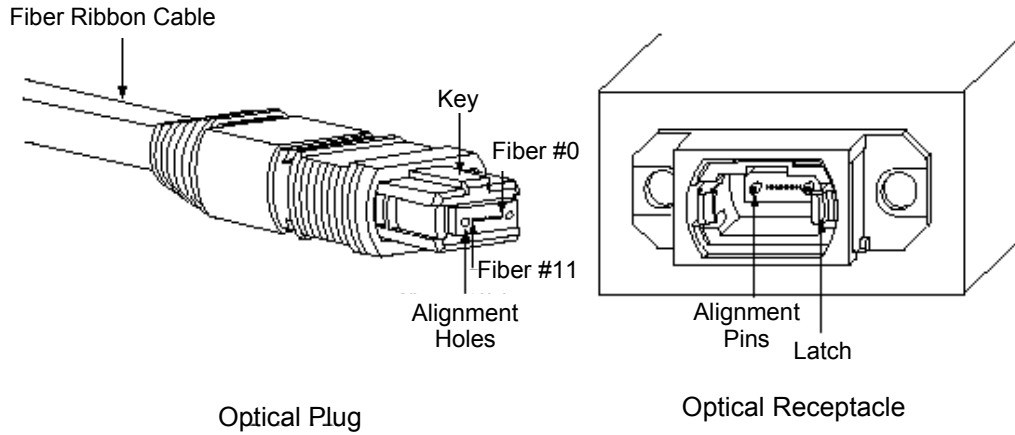
The parallel optical connector for the 850 nm four channel transmit and four channel receive transceiver is the MPO. This connector is fully specified in IEC 1754-7. The MPO is a multi-fiber connector based on proven MT ferrule technology. The optical alignment is provided by two high precision guide pins that are approximately 0,7 mm in diameter. The connector, as shown in figure 7, includes a push-pull coupling mechanism and the MT ferrule spring loaded in the direction of the optical axis. Connector interfaces are configured using a female plug without pin, a male plug which consists of two pins, and an adapter. The female plug mates with the male plug. Fiber and lane assignments are shown in figure 8.

### 7.2 Optical receptacle

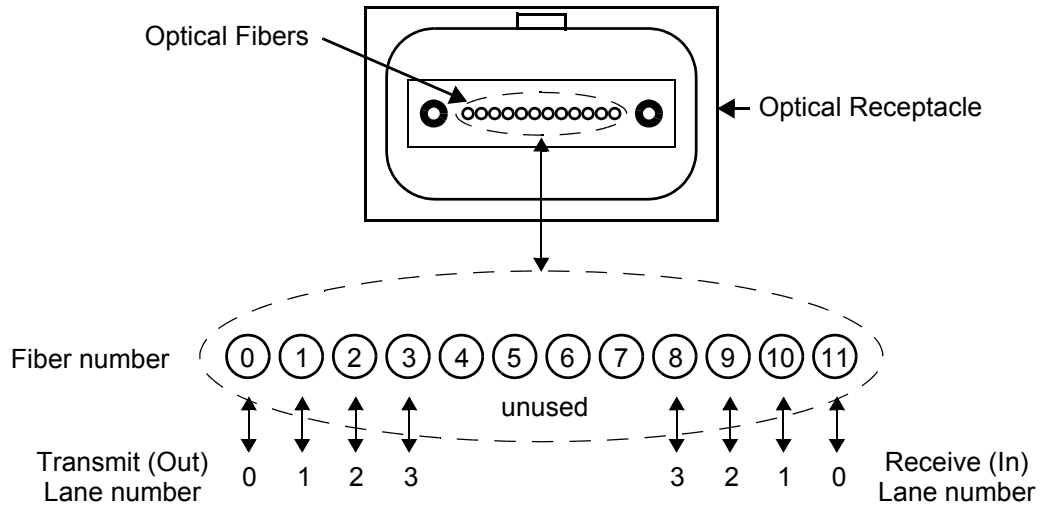
The optical receptacle shall consist of a male plug conforming to IEC 1754-7-5, MPO Male Plug Connector Flat Interface-Push/Pull, and an adapter conforming to IEC 1754-7-3, MPO Adapter Interface-Push/Pull.

### 7.3 Optical plug

The optical plug shall consist of a female MPO plug conforming to IEC 1754-7-4, MPO Female Plug Connector Interface-Push/Pull.



**Figure 7 – MPO plug and receptacle**



**Figure 8 – MPO fiber lane numbering**

1  
2  
3  
4  
5  
6  
7  
8  
9  
10  
11  
12  
13  
14  
15  
16  
17  
18  
19  
20  
21  
22  
23  
24  
25  
26  
27  
28  
29  
30  
31  
32  
33  
34  
35  
36  
37  
38  
39  
40  
41  
42  
43  
44  
45  
46  
47  
48  
49  
50  
51  
52  
53  
54  
55



## 8 Optical interface cable plant specifications

### 8.1 Overview

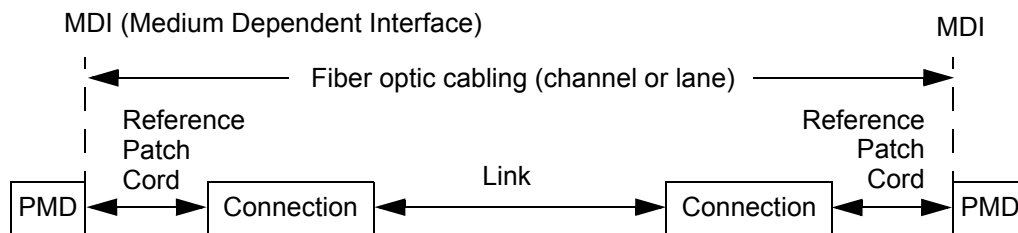
This clause specifies the physical variants and baseband media including both single mode and multimode optical fiber for the 10GFC physical interfaces shown in table 17 below.

**Table 17 – 10 GFC Cable Plant Variants**

| PMD                         | Description                                       |
|-----------------------------|---|
| <b>Single Mode Variants</b> |   |
| 1200-SM-LL-L                | 1310 nm Serial                                    |
| 1200-SM-LC4-L               | 1310 nm CWDM (four wavelength)                    |
| <b>Multimode Variants</b>   |   |
| 1200-M5-SN-I                | 850 nm Serial, 50 $\mu$ m                         |
| 1200-M6-SN-I                | 850 nm Serial, 62,5 $\mu$ m                       |
| 1200-M5E-SN-I               | 850 nm Serial, High BW 50 $\mu$ m                 |
| 1200-M5-SN4P-I              | 850 nm Parallel (four lane), 50 $\mu$ m           |
| 1200-M6-SN4P-I              | 850 nm Parallel (four lane), 62,5 $\mu$ m         |
| 1200-M5E-SN4P-I             | 850 nm Parallel (four lane), High BW 50 $\mu$ m   |
| 1200-M5-SN4-I               | 850 nm CWDM (four wavelength), 50 $\mu$ m         |
| 1200-M6-SN4-I               | 850 nm CWDM (four wavelength), 62,5 $\mu$ m       |
| 1200-M5E-SN4-I              | 850 nm CWDM (four wavelength), High BW 50 $\mu$ m |
| 1200-M6-LC4-L               | 1310 nm CWDM (four wavelength) 62,5 $\mu$ m       |
| 1200-M5-LC4-L               | 1310 nm CWDM (four wavelength) 50 $\mu$ m         |

### 8.2 Fiber optic cable plant model

The fiber optic cable plant model is shown in figure 9. A channel may contain additional connectors or other optical elements as long as the characteristics of the channel, such as attenuation, dispersion, reflections, polarization mode dispersion and modal bandwidth meet specifications. Insertion loss measurements of installed fiber cables are made in accordance with ANSI/TIA/EIA-526-14A/Method B, ANSI/TIA/EIA-526-7/Method A-1, IEC1280, IEC1280-4 and IEC1280-4-1. The term channel is used here for consistency with generic cabling standards. See 8.3 for connectors and reference designs and distance. See annex A for alternate cable plant with greater than two connections.



**Figure 9 – Fiber optic cable plant model**

#### 8.2.1 Optical fiber connection

An optical fiber connection as shown in figure 9 consists of a pair of mated optical connectors. The PMD is coupled to the fiber optic cabling through a connector plug into the MDI optical receptacle.

#### 8.2.2 Medium dependent interface (MDI)

The MDI is the interface between the PMD and the fiber optic cabling. Examples of an MDI include:

- connectorized fiber pigtail;
- transceiver receptacle.

When the MDI is a remateable connection it shall meet the interface performance specifications of TIA-568-B.3: Optical Fiber Cabling component standard or the interface performance specifications of:

- a) IEC 61753-1-1: Fibre optic interconnecting devices and passive component performance standard - Part 1-1: General and guidance -Interconnecting devices (connectors);
- b) IEC 61753-021-2: Fibre optic passive components performance standard - Part 021-2: Fibre optic connectors terminated on single mode fibre for Category C - Controlled environment;
- c) IEC 61753-022-2: Fibre optic passive components performance standard -Part 022-2:Fibre optic connectors terminated on multimode fibre for Category C -Controlled environment.

NOTE – Compliance testing is performed at gammaT and gammaR, not at the MDI (see Figure 5).

### 8.3 Characteristics of the fiber optic cabling

This subclause defines the optical interface cable plant for the signaling rates of 3,187 5 GBaud which corresponds to the four lane parallel or CWDM interfaces and 10,518 75 GBaud which corresponds to one lane serial optical interfaces. Clause 6 specifies the corresponding optical interface. Clause 7 specifies the corresponding interface receptacle. The operating ranges for serial and 4 lane parallel physical optical variants are specified in table 18. The operating ranges for the CWDM variants are specified in table 19.

The insertion loss is specified for a connection, which consists of a mated pair of optical connectors.

The maximum link distances for multimode fiber are calculated based on an allocation of 1,5 dB total connection and splice loss.

The maximum link distances for single mode fiber are calculated based on an allocation of 2,0 dB total connection and splice loss.

#### 8.3.1 Optical fiber and cable

The optical fiber shall meet the requirements of IEC 60793-2; including Type A1a.1 (500 MHz•km), A1a.2 (2000 MHz•km), and A1b (200 MHz•km) for multimode fibers and Type B1.1 (dispersion unshifted single mode) fibers B1.3 (low water peak) fibers and Type B4 (non-zero dispersion shifted) fibers.

The loss budget for optical fiber cable shall be no greater than that specified in table 18. The limits include the losses of the fiber and other components in the link such as splices and connectors. The connectors at the ends of the links are included in the transmitter and receiver specifications and not in the cable plant limit. Due to the 2% faster data rates for 10GFC, the link power penalties and other specifications may be slightly different than those specified in 10GbE [13] for the Physical Media Dependent (PMD) interfaces. The values were derived using the methodologies employed in the 10 Gigabit Ethernet Model.

**Table 18 – Optical interface, cable plant and link budget (serial and parallel variants)**

| Description   | 1200-M5-SN-I     | 1200-M5E-SN-I       | 1200-M6-SN-I     | 1200-M5-SN4P-I   | 1200-M5E-SN4P-I     | 1200-M6-SN4P-I   | 1200-SM-LL-L |
|---|------------------|---------------------|------------------|------------------|---------------------|------------------|--------------|
| Subclause   | 6.2              |                     |                  | 6.1              |                     |                  | 6.4          |
| Nominal operating wavelength (nm)   | 850              |                     |                  |                  |                     |                  | 1310         |
| Signalling rate (Gbd)   | 10,518 75        |                     |                  | 3,187 5          |                     |                  | 10,518 75    |
| Modal bandwidth (MHz•km) <sup>1</sup>   | 500 <sup>2</sup> | 2000 <sup>3,4</sup> | 200 <sup>2</sup> | 500 <sup>2</sup> | 2000 <sup>3,4</sup> | 200 <sup>2</sup> | N/A          |
| Operating range (m)   | 0,5-82           | 0,5-300             | 0,5-33           | 0,5-150          | 0,5-300             | 0,5-75           | 2 - 10 000   |
| Channel insertion loss (dB) <sup>7</sup>  | 1,8              | 2,6                 | 1,6              | 2,0              | 2,6                 | 1,8              | 6,0          |
| Allocation for penalties <sup>5</sup>   | 5,1              | 4,7                 | 4,9              | 3,6              | 3,4                 | 4,1              | 3,4          |
| Additional insertion loss allowed <sup>6</sup>  | 0,4              | 0,0                 | 0,8              | 0,4              | 0,0                 | 0,1              | 0,0          |
| Notes:<br>1 Some users may want to install higher modal bandwidth fiber to facilitate future use of the cable plant for higher bit rate applications. For shorter distances, a lower bandwidth may be substituted provided the performance requirements are met.<br>2 Minimum modal bandwidth at 850 nm using an overfilled launch (OFL) per IEC 60793-1-41 or TIA/EIA-455-204.<br>3 Minimum effective modal bandwidth at 850 nm per IEC PAS 60793-1-49 or TIA/EIA 455-220. Fibers shall comply with TIA-492AAAC.<br>4 See transmitter specifications in clause 6 for encircled flux requirements.<br>5 Link penalties are used for link budget calculations. They are not requirements and are not meant to be tested. A wavelength of 840 nm is used to calculate link penalties and additional insertion loss for serial PMDs with a nominal operating wavelength of 850 nm. A wavelength of 830 nm is used to calculate link penalties and additional insertion loss for parallel PMDs with a nominal operating wavelength of 850 nm. A wavelength of 1260 nm is used to calculate link penalties and additional insertion loss for serial PMDs with a nominal operating wavelength of 1310 nm.<br>6 This parameter is informational only and not required for 10GFC systems. The additional allowable insertion loss may be combined with the channel insertion loss to meet measured channel insertion loss but not to increase operating distance. Additional allowable insertion loss may be used to overcome insertion loss higher than the Channel insertion loss value and in some cases may be less than the value shown.<br>7 At nominal operating wavelength. |                  |                     |                  |                  |                     |                  |              |

**8.3.2 Cable plant optical return loss**

The cable plant optical return loss, with the receiver connected, shall be greater than or equal to 12 dB. This is required to keep the reflection penalty under control.

### 8.3.3 Connectors and splices

Multimode connectors and splices shall each have a return loss greater than 20 dB as measured by FOTP-107, FOTP-8 or their equivalents

Single mode connectors and splices shall each have a return loss greater than 26 dB as measured by FOTP-107, FOTP-8 or their equivalents.

Connectors and splices are allowed inside the cable plant as long as the resulting loss conforms to the optical budget of this standard. The number and quality of the connections represent a design trade-off outside the scope of this document.

**Table 19 – Optical interface, cable plant and link budget (CWDM variants)**

| PMD  | 1200-M5-SN4-I    | 1200-M5E-SN4-I      | 1200-M6-SN4-I    | 1200-M5-LC4-L    | 1200-M6-LC4-L    | 1200-SM-LC4-L |
|--|------------------|---------------------|------------------|------------------|------------------|---------------|
| <b>Subclause</b>                                     | 6.3              |                     |                  | 6.5              |                  |               |
| <b>Nominal operating wavelength (nm)</b>             | 850              |                     |                  | 1300             | 1310             |               |
| <b>Signalling rate (Gbd)</b>                         | 3,187 5          |                     |                  |                  |                  |               |
| <b>Modal bandwidth (MHz•km)<sup>1</sup></b>          | 500 <sup>2</sup> | 1500 <sup>3,4</sup> | 200 <sup>2</sup> | 500 <sup>2</sup> | 500 <sup>2</sup> | N/A           |
| <b>Operating range (m)</b>                           | 0,5-290          | 0,5-550             | 0,5-118          | 0,5-290          | 0,5-290          | 2 - 10 000    |
| <b>Channel insertion loss (dB)<sup>7</sup></b>       | 2,5              | 3,4                 | 1,9              | 1,9              | 1,9              | 6,0           |
| <b>Allocation for penalties<sup>5</sup></b>          | 5,2              | 3,7                 | 5,1              | 5,6              | 5,1              | 2,0           |
| <b>Additional insertion loss allowed<sup>6</sup></b> | 0,0              | 0,3                 | 0,8              | 0,0              | 0,5              | 0,0           |

**Notes:**

- 1 Some users may want to install higher modal bandwidth fiber to facilitate future use of the cable plant for higher bit rate applications. For shorter distances, a lower bandwidth may be substituted provided the performance requirements are met.
- 2 Minimum modal bandwidth at 850 nm using an overfilled launch (OFL) per IEC 60793-1-41 or TIA/EIA-455-204.
- 3 Minimum effective modal bandwidth at 850 nm per IEC PAS 60793-1-49 or TIA/EIA 455-220. Fibers shall comply with TIA-492AAAC.
- 4 See transmitter specifications in clause 6 for encircled flux requirements.
- 5 Link penalties are used for link budget calculations. They are not requirements and are not meant to be tested. A wavelength of 772,5 nm is used to calculate link penalties and additional insertion loss for CWDM PMDs with a nominal operating wavelength of 850 nm. A wavelength of 1269 nm is used to calculate link penalties and additional insertion loss for CWDM PMDs with a nominal operating wavelength of 1310 nm.
- 6 This parameter is informational only and not required for 10GFC systems. The additional allowable insertion loss may be combined with the channel insertion loss to meet measured channel insertion loss but not to increase operating distance. Additional allowable insertion loss may be used to overcome insertion loss higher than the Channel insertion loss value and in some cases may be less than the value shown.
- 7 At nominal operating wavelength.

1  
2  
3  
4  
5  
6  
7  
8  
9  
10  
11  
12  
13  
14  
15  
16  
17  
18  
19  
20  
21  
22  
23  
24  
25  
26  
27  
28  
29  
30  
31  
32  
33  
34  
35  
36  
37  
38  
39  
40  
41  
42  
43  
44  
45  
46  
47  
48  
49  
50  
51  
52  
53  
54  
55

## 9 FC-1 and 10GFC Levels

### 9.1 Definitions and nomenclature

Control and data on the 10GFC interface are described in terms of characters and Ordered Sets (a group of four characters). Characters may be encoded or unencoded. Characters are encoded as described in FC-FS.

Unencoded 8B/10B characters consist of 8 data bits of data and one control bit. The character is represented using the algorithm described in FC-FS. The letter K is assigned when the control bit is “one” and the letter D is assigned when the control bit is “zero”. Lower case k and d are used to indicate hexadecimal unencoded characters such as the illegal special character used as XGMII Idle (k07).

Encoded 8B/10B characters consist of 10 bits of information. Encoded characters are designated by a leading and trailing slash, such as /S/ or /K27.7/ as specified in 3.2.4.

Unencoded Ordered Sets are represented as a string of characters, such as K27.7 - D21.5 - D23.0 - D23.0.

Encoded Ordered Sets are designated with multiple slashes, such as /K27.7/D21.5/D23.0/D23.0/ or /SOFc1/.

Four control characters in a word (a column or Ordered Set) is represented by preceding and following double bar symbols as specified in 3.2.4. For example (||A||).

### 9.2 Overview

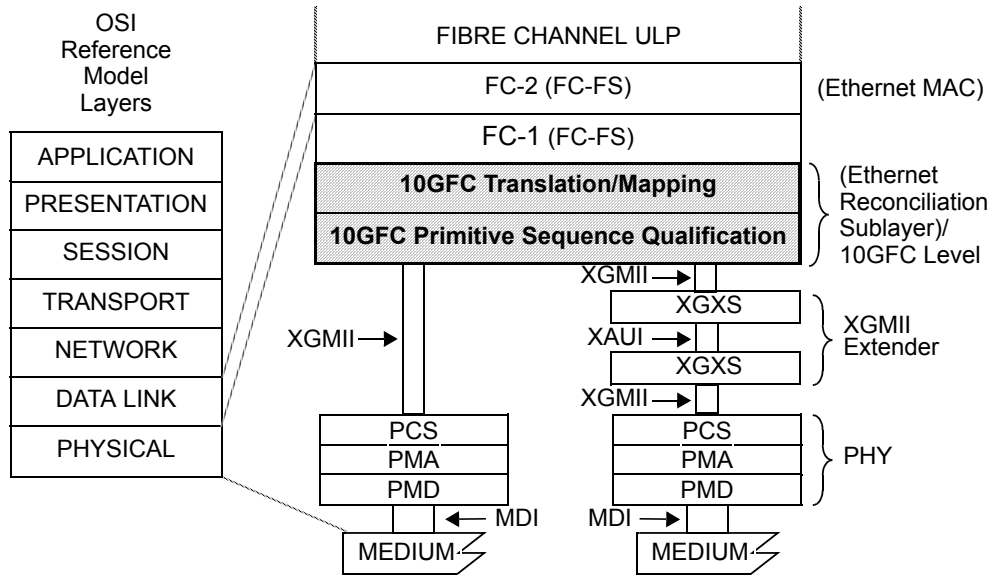
This clause defines the logical characteristics of the 10GFC level and minor changes to the FC-1 level defined in FC-FS. The 10GFC level adapts the Fibre Channel FC-1 functions to the XGMII interface as defined in 10GbE [13], and expanded in clause 10. The 10GFC level translation, mapping and qualification is similar to portions of the Reconciliation Sublayer (RS) defined in 10GbE [13]. The XGMII Extender Sublayer (XGXS) and 10 Gigabit Attachment Unit Interface (XAUI) is defined in clause 11. Figure 10 shows the relationship of the ISO (IEEE) OSI reference model to the 10GbE Layers and 10GFC Levels.

### 9.3 Byte lane ordering

Characters are ordered in terms of lanes. The 10GFC interface consists of four lanes numbered from 0 to 3. Lane 0 is the first lane used when all lanes are used as a group. Lane 0 is the first lane transmitted on a single wire.

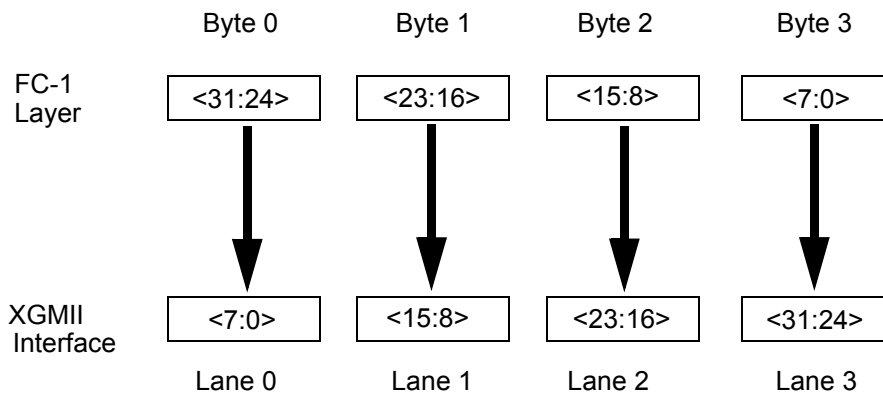
Fibre Channel bytes are grouped into 32-bit words in big endian order. In order to maintain the same order on the wire as FC-FS, the 10GFC layer between the Fibre Channel FC-1 level and XGMII maps FC-1 Byte 0 or bits <31:24> to 10GbE Lane 0 bits <7:0>, FC-1 Byte 1 or bits <23:16> to 10GbE Lane 1 bits <15:8>, FC-1 Byte 3 or bits <15:8> to 10GbE Lane 2 bits <23:16>, and FC-1 Byte 3 or bits <7:0> to 10GbE Lane 3 bits <31:24> as in figure 11 and table 30. The lowest numbered bit of each Fibre Channel byte maps to the lowest numbered bit of the respective XGMII byte.

The first byte of a frame is assembled on Lane 0, the second on Lane 1, and so on, with the byte stream wrapping from Lane 3 to Lane 0 again. This order is continued until all bytes in the frame are sent.



MAC = MEDIA ACCESS CONTROL  
 MDI = MEDIUM DEPENDENT INTERFACE  
 PCS = PHYSICAL CODING SUBLAYER  
 PHY = PHYSICAL LAYER DEVICE  
 PMA = PHYSICAL MEDIUM ATTACHMENT  
 PMD = PHYSICAL MEDIUM DEPENDENT  
 XAUI = 10 GIGABIT ATTACHMENT UNIT INTERFACE  
 XGMII = 10 GIGABIT MEDIA INDEPENDENT INTERFACE  
 XGXS = XGMII EXTENDER SUBLAYER

**Figure 10 – XGMII relationship to OSI, 10GbE and 10GFC**



**Figure 11 – Byte lane ordering**

Primitive Signals except for EOF and Primitive Sequences are aligned with the control character on Lane 0 and the remaining data characters (Bytes 1, 2, and 3) on Lane 1, 2, and 3 in that order. EOF has the control character on lane 3.

1  
2  
3  
4  
5  
6  
7  
8  
9  
10  
11  
12  
13  
14  
15  
16  
17  
18  
19  
20  
21  
22  
23  
24  
25  
26  
27  
28  
29  
30  
31  
32  
33  
34  
35  
36  
37  
38  
39  
40  
41  
42  
43  
44  
45  
46  
47  
48  
49  
50  
51  
52  
53  
54  
55

## 9.4 XGMII control characters and ordered set translation

10GFC defines control characters in addition to K28.5 which are used to further define Ordered Sets such as Fibre Channel Frame Delimiters, Primitive Signals, and Primitive Sequences. The 10GFC XGMII control characters are listed in table 20.

**Table 20 – XGMII control characters**

| Abbr. | Delimiter Function       | Character |
|-------|--------------------------|-----------|
| S     | Start - Start of Frame   | K27.7     |
| T     | Terminate - End of Frame | K29.7     |
| P     | Primitive Signal         | K28.2     |
| Q     | Primitive Sequence       | K28.4     |
| E     | Error                    | K30.7     |
| I     | Idle                     | k07       |

The Error character shall be substituted for an illegal character or when a disparity error is detected within the 8B/10B PCS. The Idle character is transmitted on all lanes of XGMII when no other type of information is available. The use of S, T, P, and Q is further defined in tables 21 through 24 using the rules defined in 9.8.

### 9.4.1 FC-1 to XGMII translation tables

Tables 21 through 24 specify the Ordered Sets (composed of control and data characters) which are defined for use by XGMII and the translated value used by the FC-1 level. The FC-1 translated value is listed as the FC-FS value. The values labeled 10GFC are the values used on the XGMII interface. The names of the 10GFC Ordered Sets are appended with a “\_X” suffix to differentiate the coding from FC-FS. All ordered sets other than those listed in this section are reserved and shall be passed through the 10GFC level without modification. FC-AL-2 codes are reserved and are described in annex C for possible future use.

**Table 21 – Frame delimiters**

| Abbr.            | Delimiter Function   | Interface (disparity) | Ordered Set Lane 0-1-2-3      |
|------------------|----------------------|-----------------------|-------------------------------|
| SOFc1<br>SOFc1_X | SOF Connect Class 1  | FC-FS                 | K28.5 - D21.5 - D23.0 - D23.0 |
|                  |                      | 10GFC                 | K27.7 - D21.5 - D23.0 - D23.0 |
| SOFi1<br>SOFi1_X | SOF Initiate Class 1 | FC-FS                 | K28.5 - D21.5 - D23.2 - D23.2 |
|                  |                      | 10GFC                 | K27.7 - D21.5 - D23.2 - D23.2 |
| SOFn1<br>SOFn1_X | SOF Normal Class 1   | FC-FS                 | K28.5 - D21.5 - D23.1 - D23.1 |
|                  |                      | 10GFC                 | K27.7 - D21.5 - D23.1 - D23.1 |
| SOFi2<br>SOFi2_X | SOF Initiate Class 2 | FC-FS                 | K28.5 - D21.5 - D21.2 - D21.2 |
|                  |                      | 10GFC                 | K27.7 - D21.5 - D21.2 - D21.2 |
| SOFn2<br>SOFn2_X | SOF Normal Class 2   | FC-FS                 | K28.5 - D21.5 - D21.1 - D21.1 |
|                  |                      | 10GFC                 | K27.7 - D21.5 - D21.1 - D21.1 |
| SOFi3<br>SOFi3_X | SOF Initiate Class 3 | FC-FS                 | K28.5 - D21.5 - D22.2 - D22.2 |
|                  |                      | 10GFC                 | K27.7 - D21.5 - D22.2 - D22.2 |
| SOFn3<br>SOFn3_X | SOF Normal Class 3   | FC-FS                 | K28.5 - D21.5 - D22.1 - D22.1 |
|                  |                      | 10GFC                 | K27.7 - D21.5 - D22.1 - D22.1 |

**Table 21 – Frame delimiters**

| Abbr.              | Delimiter Function  | Interface (disparity) | Ordered Set Lane 0-1-2-3      |
|--------------------|---|-----------------------|-------------------------------|
| SOFc4<br>SOFc4_X   | SOF Activate Class 4  | FC-FS                 | K28.5 - D21.5 - D25.0 - D25.0 |
|                    |   | 10GFC                 | K27.7 - D21.5 - D25.0 - D25.0 |
| SOFi4<br>SOFi4_X   | SOF Initiate Class 4  | FC-FS                 | K28.5 - D21.5 - D25.2 - D25.2 |
|                    |   | 10GFC                 | K27.7 - D21.5 - D25.2 - D25.2 |
| SOFn4<br>SOFn4_X   | SOF Normal Class 4  | FC-FS                 | K28.5 - D21.5 - D25.1 - D25.1 |
|                    |   | 10GFC                 | K27.7 - D21.5 - D25.1 - D25.1 |
| SOFF<br>SOFF_X     | SOF Fabric  | FC-FS                 | K28.5 - D21.5 - D24.2 - D24.2 |
|                    |   | 10GFC                 | K27.7 - D21.5 - D24.2 - D24.2 |
| EOFt<br>EOFt_X     | EOF Terminate   | FC-FS(-)              | K28.5 - D21.4 - D21.3 - D21.3 |
|                    |   | FC-FS(+)              | K28.5 - D21.5 - D21.3 - D21.3 |
|                    |   | 10GFC                 | D21.4 - D21.3 - D21.3 - K29.7 |
| EOFdt<br>EOFdt_X   | EOF Disconnect-Terminate-Class 1<br>EOF Deactivate-Terminate-Class 4                  | FC-FS(-)              | K28.5 - D21.4 - D21.4 - D21.4 |
|                    |   | FC-FS(+)              | K28.5 - D21.5 - D21.4 - D21.4 |
|                    |   | 10GFC                 | D21.4 - D21.4 - D21.4 - K29.7 |
| EOFa<br>EOFa_X     | EOF Abort   | FC-FS(-)              | K28.5 - D21.4 - D21.7 - D21.7 |
|                    |   | FC-FS(+)              | K28.5 - D21.5 - D21.7 - D21.7 |
|                    |   | 10GFC                 | D21.4 - D21.7 - D21.7 - K29.7 |
| EOFn<br>EOFn_X     | EOF Normal  | FC-FS(-)              | K28.5 - D21.4 - D21.6 - D21.6 |
|                    |   | FC-FS(+)              | K28.5 - D21.5 - D21.6 - D21.6 |
|                    |   | 10GFC                 | D21.4 - D21.6 - D21.6 - K29.7 |
| EOFni<br>EOFni_X   | EOF Normal-Invalid  | FC-FS(-)              | K28.5 - D10.4 - D21.6 - D21.6 |
|                    |   | FC-FS(+)              | K28.5 - D10.5 - D21.6 - D21.6 |
|                    |   | 10GFC                 | D10.4 - D21.6 - D21.6 - K29.7 |
| EOFdti<br>EOFdti_X | EOF Disconnect-Terminate-Invalid Class 1<br>EOF Disconnect-Deactivate-Invalid Class 4 | FC-FS(-)              | K28.5 - D10.4 - D21.4 - D21.4 |
|                    |   | FC-FS(+)              | K28.5 - D10.5 - D21.4 - D21.4 |
|                    |   | 10GFC                 | D10.4 - D21.4 - D21.4 - K29.7 |
| EOFrt<br>EOFrt_X   | EOF Remove-Terminate Class 4  | FC-FS(-)              | K28.5 - D21.4 - D25.4 - D25.4 |
|                    |   | FC-FS(+)              | K28.5 - D21.5 - D25.4 - D25.4 |
|                    |   | 10GFC                 | D21.4 - D25.4 - D25.4 - K29.7 |
| EOFrti<br>EOFrti_X | EOF Remove-Terminate Invalid<br>Class 4   | FC-FS(-)              | K28.5 - D10.4 - D25.4 - D25.4 |
|                    |   | FC-FS(+)              | K28.5 - D10.5 - D25.4 - D25.4 |
|                    |   | 10GFC                 | D10.4 - D25.4 - D25.4 - K29.7 |

**9.4.2 Unsupported FC-1 ordered sets**

10GFC does not support NOS. NOS does not appear on XGMII or XAUI and is mapped by the 10GFC translation block to Remote Fault (RF).



**Table 22 – Primitive signals (standard)**

| Abbr.              | Delimiter Function                    | Interface | Ordered Set<br>Lane 0-1-2-3   |
|--------------------|---------------------------------------|-----------|-------------------------------|
| IDLE               | Idle                                  | FC-FS     | K28.5 - D21.4 - D21.5 - D21.5 |
|                    |                                       | 10GFC     | k07 - k07 - k07 - k07         |
| R_RDY<br>R_RDY_X   | Receiver_Ready                        | FC-FS     | K28.5 - D21.4 - D10.2 - D10.2 |
|                    |                                       | 10GFC     | K28.2 - D21.4 - D10.2 - D10.2 |
| VC_RDY<br>VC_RDY_X | Virtual Circuit Ready                 | FC-FS     | K28.5 - D21.7 - VC_ID - VC_ID |
|                    |                                       | 10GFC     | K28.2 - D21.7 - VC_ID - VC_ID |
| BB_SCs<br>BB_SCs_X | Buffer-to-buffer State Change (SOF)   | FC-FS     | K28.5 - D21.4 - D22.4 - D22.4 |
|                    |                                       | 10GFC     | K28.2 - D21.4 - D22.4 - D22.4 |
| BB_SCr<br>BB_SCr_X | Buffer-to-buffer State Change (R_RDY) | FC-FS     | K28.5 - D21.4 - D22.6 - D22.6 |
|                    |                                       | 10GFC     | K28.2 - D21.4 - D22.6 - D22.6 |
| SYNx<br>SYNx_X     | Clock Synchronization Word X          | FC-FS     | K28.5 - D31.3 - CS_X - CS_X   |
|                    |                                       | 10GFC     | K28.2 - D31.3 - CS_X - CS_X   |
| SYNy<br>SYNy_X     | Clock Synchronization Word Y          | FC-FS     | K28.5 - D31.3 - CS_Y - CS_Y   |
|                    |                                       | 10GFC     | K28.2 - D31.3 - CS_Y - CS_Y   |
| SYNz<br>SYNz_X     | Clock Synchronization Word Z          | FC-FS     | K28.5 - D31.3 - CS_Z - CS_Z   |
|                    |                                       | 10GFC     | K28.2 - D31.3 - CS_Z - CS_Z   |

**Table 23 – Primitive sequences (standard)**

| Abbr.        | Delimiter Function  | Interface | Ordered Set<br>Lane 0-1-2-3   |
|--------------|---------------------|-----------|-------------------------------|
| OLS<br>OLS_X | Offline             | FC-FS     | K28.5 - D21.1 - D10.4 - D21.2 |
|              |                     | 10GFC     | K28.4 - D21.1 - D10.4 - D21.2 |
| NOS          | Not Operational     | FC-FS     | K28.5 - D21.2 - D31.5 - D5.2  |
|              |                     | 10GFC     | RF                            |
| LR<br>LR_X   | Link Reset          | FC-FS     | K28.5 - D9.2 - D31.5 - D9.2   |
|              |                     | 10GFC     | K28.4 - D9.2 - D31.5 - D9.2   |
| LRR<br>LRR_X | Link Reset Response | FC-FS     | K28.5 - D21.1 - D31.5 - D9.2  |
|              |                     | 10GFC     | K28.4 - D21.1 - D31.5 - D9.2  |

**Table 24 – Primitive sequences (link status)**

| Abbr. | Delimiter Function | Interface | Ordered Set<br>Lane 0-1-2-3   |
|-------|--------------------|-----------|-------------------------------|
| LF    | Local Fault        | FC-FS     | loss_of_sync                  |
|       |                    | 10GFC     | K28.4 - D00.0 - D00.0 - D01.0 |
| RF    | Remote Fault       | FC-FS     | NOS                           |
|       |                    | 10GFC     | K28.4 - D00.0 - D00.0 - D02.0 |

### 9.4.3 Reserved codes

The following codes are reserved for future use and shall be passed through all devices: K28.1, K28.6 and K23.7. All ordered sets beginning with K28.2 and K28.4 are considered primitive signals and sequences and those not listed in this document are reserved. All reserved Primitive Signals or Sequences are passed though devices at the 10GFC level and below.

NOTE – K28.7 is not supported by 64B/66B devices and generates an unaligned 8B/10B comma-character when two are adjacent. 64B/66B devices pass through the reserved codes if they are part of a stream of control characters but not if they are mixed with data characters.

### 9.4.4 10GFC error character

Errors may result in the error code /E/ or other valid or invalid characters appearing in any lane of the XGMII receive data bus (also see 9.8.8). These errors are passed unaltered to FC-1.

### 9.5 XAUI idle characters

XAUI characters are encoded using the 8B/10B encoding scheme described in FC-FS. 10GFC uses both positive and negative disparity control characters while FC-FS specifies some control characters using only negative disparity. Additional special characters specified in table 25 are defined for Idle generation and clock frequency mismatch management.

**Table 25 – XAUI idle characters**

| Abbr | Description                                      | Code Value |
|------|--|------------|
| A    | Align - Lane deskew via code group alignment     | K28.3      |
| K    | Sync - Synchronization and End of Packet padding | K28.5      |
| R    | Skip - Clock tolerance compensation              | K28.0      |

### 9.6 Ordered set mapping from XGMII to XAUI interface

Using the control characters defined in the previous subclauses, a general frame layout may be illustrated with an inter frame Idle sequence as depicted in table 26.

**Table 26 – XAUI frame layout**

|        |     |     |     |      |                   |     |     |     |     |                   |      |     |     |     |
|--------|-----|-----|-----|------|-------------------|-----|-----|-----|-----|-------------------|------|-----|-----|-----|
| Lane 0 | /A/ | /R/ | /K/ | /S/  | /d <sub>h</sub> / | ... | /d/ | ... | /d/ | /d <sub>c</sub> / | /dt/ | /A/ | /R/ | /K/ |
| Lane 1 | /A/ | /R/ | /K/ | /ds/ | /d <sub>h</sub> / | ... | /d/ | ... | /d/ | /d <sub>c</sub> / | /dt/ | /A/ | /R/ | /K/ |
| Lane 2 | /A/ | /R/ | /K/ | /ds/ | /d <sub>h</sub> / | ... | /d/ | ... | /d/ | /d <sub>c</sub> / | /dt/ | /A/ | /R/ | /K/ |
| Lane 3 | /A/ | /R/ | /K/ | /ds/ | /d <sub>h</sub> / | ... | /d/ | ... | /d/ | /d <sub>c</sub> / | /T/  | /A/ | /R/ | /K/ |

Table Key:  
 /S/ds/ds/ds/ - SOF delimiter  
 /d<sub>h</sub>/ - Frame header data  
 /d/ - Frame payload data  
 /d<sub>c</sub>/d<sub>c</sub>/d<sub>c</sub>/d<sub>c</sub>/ - Frame CRC  
 /dt/dt/dt/T/- EOF delimiter  
 ARK sequence is representative of randomized inter-frame idles

In addition to frames, Primitive Signals and Primitive Sequences may be sent across XAUI in the Idle sequence. Primitive Signals are encoded and transmitted as is. Examples are outlined in clause 12. Upon reception they will be decoded and passed to XGMII as is.

Primitive Sequences follow a set of rules for transmission which are outlined in clause 12. When received, they are passed to the XGMII as is. 10GFC level performs Primitive translation and Primitive Sequence qualification.

Upon detection of a link fault, a Local Fault Primitive Sequence will be forwarded to the 10GFC on the XGMII receive bus. Upon recognition of a Local Fault Primitive Sequence, the 10GFC will send the Remote Fault Primitive Sequence on the XGMII transmit bus until Local Fault ends (see 9.7.2).

The Idle Sequence on XAUI translates the k07 characters on XGMII to /A/, /K/, or /R/ special characters and transmits these according to the rules outlined in the 10GbE [13] spec (see clause 12 and annex D).

### 9.7 10GFC Level functions

The 10GFC level qualifies Primitive Sequences, establishes a valid connection and translates and decodes ordered sets to FC-1 level values. An FC-1 implementation can optionally handle the 10GFC primitives and link fault signaling directly without any translation.

This 10GFC level is intended to present the same information to the FC-1 independent of the media device used. For instance, a direct connection between XGMII and a 64B/66B PCS device to another 64B/66B PCS device to XGMII will provide identical Primitive Sequence streams on both sides. FC-1 to 10GFC to XGMII interaction is depicted in figure 12.

The XGMII RXI data, Primitive Signals and Sequences are translated and qualified by the 10GFC level then provided on the RFC-1 interface to the FC-1 level. Primitive Sequences are qualified by a method similar to those described in FC-FS but over a larger number of characters. 10GFC qualified Primitive Sequences operate with standard FC-1 functions. Fibre Channel data and primitives are passed from the FC-1 level on the TFC-1 interface through the 10GFC translation block to the TXI interface of XGMII.

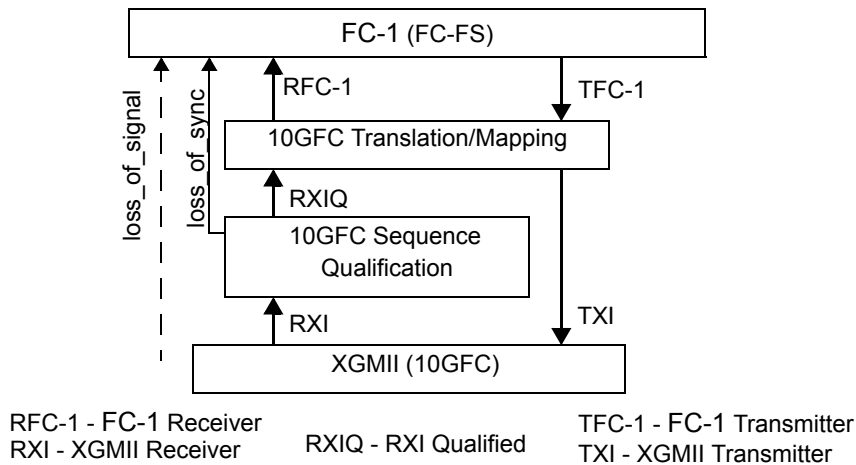


Figure 12 – FC-1/10GFC/XGMII Interaction

### 9.7.1 Ordered set translation

10GFC ordered sets are translated from those defined in FC-FS to those used by XGMII as detailed in 9.4.

### 9.7.2 Link fault signaling

The link fault signaling required by 10GbE [13] must be satisfied before those of FC-FS. The 10GFC level translates XGMII ||LF|| and ||RF|| primitives defined in 10GbE [13], such that no changes are required in the Fibre Channel Port State Machine (PSM) as specified in FC-FS.

When a local fault is detected, Remote Fault (RF) is transmitted until either RF or OLS is received and qualified. When RF is received and qualified, OLS is transmitted.

In the XGMII receive path, loss\_of\_sync (an out of band signal) is asserted whenever a qualified ||LF|| primitive is received. In the XGMII transmit path, each NOS (Not Operational) primitive sequence generated by the PSM is translated into a ||RF|| (remote fault) primitive sequence before driving the XGMII transmit interface.

NOTE – A simplification is to translate an XGMII qualified ||LF|| to loss\_of\_sync on reception and NOS to an XGMII ||RF|| on transmission.

### 9.7.3 10GFC primitive sequence qualification state diagram

The 10GFC primitive sequence qualification state diagram is similar to the Link Fault State Diagram in 10GbE [13], replaces the FC-1 primitive sequence qualification and connects directly to the FC-1 Port State Machine. The 10GFC primitive sequence qualification state diagram shall be used as specified in figure 13.

#### 9.7.3.1 Variables and counters

The 10GFC primitive sequence state diagram shall use the following variables and counters:

col\_cnt - A count of the number of columns received not containing a Primitive Sequence. This counter increments at RX\_CLK rate (on both the rising and falling clock transitions) unless reset.

last\_seq\_type - The seq\_type of the previous Primitive Sequence received.

Values: NULL  
seq\_type

link\_fault - An indicator of the fault status. (Used by 10GbE, unused by 10GFC.)

Values: OK; qual\_seq\_type = !(Local Fault OR Remote Fault)  
FAIL; fault detected by the PHY OR qual\_seq\_type=(Local Fault OR Remote Fault)

loss\_of\_signal - An optional indicator of no XAUI signal which may be used by the PSM. It may be provided as an out of band signal by the XGXS device. It is one of the conditions for Local Fault ||LF||.

Values: OK; good signal detected by the PHY  
FAIL; loss of signal detected by the PHY

loss\_of\_sync - An indicator of a local fault used by the PSM. It may be provided as an out of band signal by the XGXS device. It is asserted when a qualified Local Fault ||LF|| is present.

Values: OK; qual\_seq\_type = !Local Fault

1                    FAIL; qual\_seq\_type = Local Fault  
2  
3        qual\_seq\_type - seq\_type that has been qualified by receiving the proper number of Primitive Se-  
4                    quences.  
5            Values:     NULL when reset is true or no sequence for 128 columns or more  
6                    seq\_type  
7  
8        reset - Condition that is true until such time as the power supply for the device that contains the  
9                    10GFC logic has reached the operating region.  
10           Values:     FALSE: The device is completely powered and has not been reset (default).  
11                    TRUE: The device has not been completely powered or has been reset.  
12  
13        RXI - XGMII receive data or control characters  
14  
15        RXIQ - RXI qualified data or control characters  
16           Values:     if (qual\_seq\_type!=NULL) RXIQ <= qual\_seq\_type  
17                    else     RXIQ <= RXI (default).  
18  
19        seq\_cnt - A count of the number of received Primitive Sequences of the same type.  
20  
21        seq\_type - The value of the current Primitive Sequence.  
22           Values:     Local Fault  
23                    Remote Fault  
24                    10GFC defined or reserved Primitive Sequence  
25  
26        sequence - A new column received on RXI comprising a Primitive Sequence of four bytes and con-  
27                    sisting of a Sequence control character in Lane 0 and a seq\_type in Lanes 1, 2, and 3.  
28  
29        The 10GFC Receive qualification of ||Q|| is summarized as follows:  
30  
31           a) The variable qual\_seq\_type is set to the value of a received Sequence ordered\_set when four  
32                    Primitive Sequences ||Q|| containing the same value have been received where each pair of  
33                    Primitive Sequences is separated by less than 128 columns and with no intervening Primitive  
34                    Sequences of a different value;  
35  
36           b) Resetting the variable qual\_seq\_type to no sequence type (null) occurs when no ||Q|| has been  
37                    received for 128 columns or more.  
38  
39        NOTE – 10GFC Receive qualification addresses both 8B/10B and 64B/66B PCS operation.  
40

41        **9.7.4 XGMII and FC-1 primitive sequence interaction**

42  
43        Tables 27 through 29 provide examples of the XGMII and FC-1 operations for Primitive Sequences.  
44        See 9.4 for definitions of ordered sets and 12.3 for translation between XGMII, 8B/10B PCS and back  
45        to XGMII. The examples use Primitive Sequences OLS (K28.4 - D21.1 - D10.4 - D21.2), LR (K28.4 -  
46        D09.2 - D31.5 - D09.2), and LRR (K28.4 - D21.1 - D31.5 - D09.2).  
47

48        **9.8 FC-1 level rules, requirements and functions**

49  
50        This clause lists the differences between what is specified within FC-FS for FC-1 level functions and  
51        required for 10GFC operation below the XGMII interface.  
52  
53  
54  
55

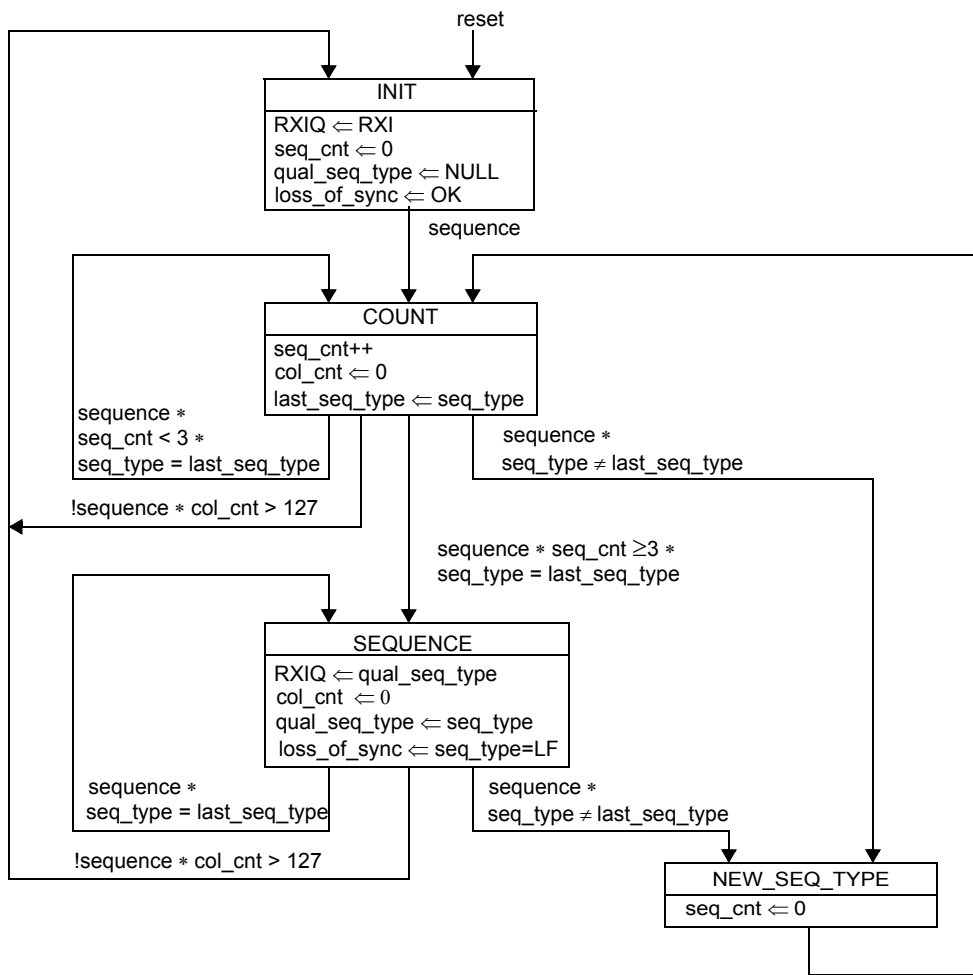


Figure 13 – 10GFC primitive sequence qualification state diagram

### 9.8.1 FC-1 link fault and error indications

The loss-of-sync signal is provided by the 10GFC primitive sequence state diagram as defined in 9.7.3. The optional loss-of-signal may be provided by an out of band means. The detection of loss-of-signal within the PCS will cause the XGMII Local Fault ||LF|| primitive which should result in loss-of-sync to be asserted. NOS meaning is modified by the 10GFC mapping. NOS is generated when a XGMII Remote Fault ||RF|| primitive is received and qualified from the distant node.

FC-1 provides for detection of an invalid character within a frame as an error (see also 9.4.4).

### 9.8.2 FC\_Port state machine

The 10GFC level provides the translations necessary for the standard FC-1 functions to operate and interfaces directly to the FC\_Port State Machine (PSM) as described in FC-FS. FC-FS primitive sequence qualification is replaced by the state diagram in figure 13. FC-FS primitive sequences are translated to XGMII primitive sequences for both transmission and reception (see tables 23 and 24).

1  
2  
3  
4  
5  
6  
7  
8  
9  
10  
11  
12  
13  
14  
15  
16  
17  
18  
19  
20  
21  
22  
23  
24  
25  
26  
27  
28  
29  
30  
31  
32  
33  
34  
35  
36  
37  
38  
39  
40  
41  
42  
43  
44  
45  
46  
47  
48  
49  
50  
51  
52  
53  
54  
55

**Table 27 – Primitive sequence start**

| TXI / XGMII (transmit)                   |    |   |   |    |   |   |   |   |   |   |    |   |    |    |   |   |    |   |    |    |   |   |   |   |   |     |     |     |     |     |     |     |
|--|----|---|---|----|---|---|---|---|---|---|----|---|----|----|---|---|----|---|----|----|---|---|---|---|---|-----|-----|-----|-----|-----|-----|-----|
| Lane 0                                   | .. | I | I | .. | I | O | O | O | O | O | .. | O | O  | .. | O | O | .. | O | O  | O  | O | O | O | O | O | O   | O   | O   |     |     |     |     |
| Lane 1                                   | .. | I | I | .. | I | L | L | L | L | L | .. | L | L  | .. | L | L | .. | L | L  | L  | L | L | L | L | L | L   | L   | L   |     |     |     |     |
| Lane 2                                   | .. | I | I | .. | I | S | S | S | S | S | .. | S | S  | .. | S | S | .. | S | S  | S  | S | S | S | S | S | S   | S   | S   |     |     |     |     |
| Lane 3                                   | .. | I | I | .. | I |   |   |   |   |   | .. |   |    | .. |   |   | .. |   |    |    |   |   |   |   |   |     |     |     |     |     |     |     |
| 8B/10B PCS                               |    |   |   |    |   |   |   |   |   |   |    |   |    |    |   |   |    |   |    |    |   |   |   |   |   |     |     |     |     |     |     |     |
| Lane 0                                   | .. | A | R | .. | K | R | R | A | O | R | .. | A | O  | .. | A | O | .. | A | O  | R  | K | K | R | K | R | K   | R   | K   |     |     |     |     |
| Lane 1                                   | .. | A | R | .. | K | R | R | A | L | R | .. | A | L  | .. | A | L | .. | A | L  | R  | K | K | R | K | R | K   | R   | K   |     |     |     |     |
| Lane 2                                   | .. | A | R | .. | K | R | R | A | S | R | .. | A | S  | .. | A | S | .. | A | S  | R  | K | K | R | K | R | K   | R   | K   |     |     |     |     |
| Lane 3                                   | .. | A | R | .. | K | R | R | A |   | R | .. | A |    | .. | A |   | .. | A |    | R  | K | K | R | K | R | K   | R   | K   |     |     |     |     |
| RXI / XGMII (receive)                    |    |   |   |    |   |   |   |   |   |   |    |   |    |    |   |   |    |   |    |    |   |   |   |   |   |     |     |     |     |     |     |     |
| Lane 0                                   | .. | I | I | .. | I | I | I | I | O | I | .. | I | O  | .. | I | O | .. | I | O  | I  | I | I | I | I | I | I   | I   | I   |     |     |     |     |
| Lane 1                                   | .. | I | I | .. | I | I | I | I | L | I | .. | I | L  | .. | I | L | .. | I | L  | I  | I | I | I | I | I | I   | I   | I   |     |     |     |     |
| Lane 2                                   | .. | I | I | .. | I | I | I | I | S | I | .. | I | S  | .. | I | S | .. | I | S  | I  | I | I | I | I | I | I   | I   | I   |     |     |     |     |
| Lane 3                                   | .. | I | I | .. | I | I | I | I |   | I | .. | I |    | .. | I |   | .. | I |    | I  | I | I | I | I | I | I   | I   | I   |     |     |     |     |
| columns:                                 |    |   |   |    |   |   |   |   | x | 0 | 1  |   | 30 | 31 |   |   |    |   |    |    |   |   |   |   |   | 379 | 380 | 381 | 382 | 383 | 384 | 385 |
| RFC-1 / FC-1 Receive Qualified Data Path |    |   |   |    |   |   |   |   |   |   |    |   |    |    |   |   |    |   |    |    |   |   |   |   |   |     |     |     |     |     |     |     |
| Lane 0                                   | .. | I | I | .. | I | I | I | I | I | I | .. | I | I  | .. | I | I | .. | I | O  | .. | O | O | O | O | O | O   | O   | O   |     |     |     |     |
| Lane 1                                   | .. | I | I | .. | I | I | I | I | I | I | .. | I | I  | .. | I | I | .. | I | L  | .. | L | L | L | L | L | L   | L   | L   |     |     |     |     |
| Lane 2                                   | .. | I | I | .. | I | I | I | I | I | I | .. | I | I  | .. | I | I | .. | I | S  | .. | S | S | S | S | S | S   | S   | S   |     |     |     |     |
| Lane 3                                   | .. | I | I | .. | I | I | I | I | I | I | .. | I | I  | .. | I | I | .. | I | .. |    |   |   |   |   |   |     |     |     |     |     |     |     |

**9.8.3 Arbitrated loop functions**

Arbitrated loop functions defined in FC-AL-2 are not supported and outside the scope of this specification. All FC-AL-2 ordered set are reserved and shall be passed through the 10GFC level without modification.

FC-AL-2 ordered set mapping, translations and related topics are provided in annex C for future reference.

**9.8.4 Inter-frame gap (IFG) rules**

The minimum IFG shall be six columns when originated by the FC-2 layer of any device other than a buffered switch. The minimum IFG shall be two columns when originated by the FC-2 layer of a buffered switch.

The minimum IFG may be a minimum of one column when received by an upper layer if Idle (||||| or |||IDLE||) columns were removed for clock frequency mismatch.

NOTE – One column is a change from the FC-FS and FC-AL-2 minimum of two Idles.

**Table 28 – Changing primitive sequence**

| TXI / XGMII (transmit)                   |    |   |   |    |   |   |   |   |   |   |    |   |   |    |   |   |    |   |   |    |   |   |   |     |     |     |     |     |     |     |
|--|----|---|---|----|---|---|---|---|---|---|----|---|---|----|---|---|----|---|---|----|---|---|---|-----|-----|-----|-----|-----|-----|-----|
| Lane 0                                   | .. | O | O | .. | O | L | L | L | L | L | .. | L | L | .. | L | L | .. | L | L | L  | L | L | L | L   | L   | L   | L   | L   |     |     |
| Lane 1                                   | .. | L | L | .. | L | R | R | R | R | R | .. | R | R | .. | R | R | .. | R | R | R  | R | R | R | R   | R   | R   | R   | R   | R   |     |
| Lane 2                                   | .. | S | S | .. | S | R | R | R | R | R | .. | R | R | .. | R | R | .. | R | R | R  | R | R | R | R   | R   | R   | R   | R   | R   |     |
| Lane 3                                   | .. |   |   | .. |   |   |   |   |   |   | .. |   |   | .. |   |   | .. |   |   |    |   |   |   |     |     |     |     |     |     |     |
| 8B/10B PCS                               |    |   |   |    |   |   |   |   |   |   |    |   |   |    |   |   |    |   |   |    |   |   |   |     |     |     |     |     |     |     |
| Lane 0                                   | .. | A | O | .. | K | R | R | A | L | R | .. | A | L | .. | A | L | .. | A | L | .. | A | L | R | K   | K   | R   | K   | R   |     |     |
| Lane 1                                   | .. | A | L | .. | K | R | R | A | R | R | .. | A | R | .. | A | R | .. | A | R | .. | A | R | R | K   | K   | R   | K   | R   |     |     |
| Lane 2                                   | .. | A | S | .. | K | R | R | A | R | R | .. | A | R | .. | A | R | .. | A | R | .. | A | R | R | K   | K   | R   | K   | R   |     |     |
| Lane 3                                   | .. | A |   | .. | K | R | R | A |   | R | .. | A |   | .. | A |   | .. | A |   | .. | A |   | R | K   | K   | R   | K   | R   |     |     |
| RXI / XGMII (receive)                    |    |   |   |    |   |   |   |   |   |   |    |   |   |    |   |   |    |   |   |    |   |   |   |     |     |     |     |     |     |     |
| Lane 0                                   | .. | I | O | .. | I | I | I | I | L | I | .. | I | L | .. | I | L | .. | I | L | .. | I | L | I | I   | I   | I   | I   | I   | I   |     |
| Lane 1                                   | .. | I | L | .. | I | I | I | I | R | I | .. | I | R | .. | I | R | .. | I | R | .. | I | R | I | I   | I   | I   | I   | I   | I   |     |
| Lane 2                                   | .. | I | S | .. | I | I | I | I | R | I | .. | I | R | .. | I | R | .. | I | R | .. | I | R | I | I   | I   | I   | I   | I   | I   |     |
| Lane 3                                   | .. | I |   | .. | I | I | I | I |   | I | .. | I |   | .. | I |   | .. | I |   | .. | I |   | I | I   | I   | I   | I   | I   | I   |     |
| columns:                                 |    |   |   |    |   |   |   | x | 0 | 1 |    |   |   |    |   |   |    |   |   |    |   |   |   |     |     |     |     |     |     |     |
|  |    |   |   |    |   |   |   |   |   |   |    |   |   |    |   |   |    |   |   |    |   |   |   | 379 | 380 | 381 | 382 | 383 | 384 | 385 |
| RFC-1 / FC-1 Receive Qualified Data Path |    |   |   |    |   |   |   |   |   |   |    |   |   |    |   |   |    |   |   |    |   |   |   |     |     |     |     |     |     |     |
| Lane 0                                   | .. | O | O | .. | O | O | O | O | O | O | .. | O | O | .. | O | O | .. | O | L | .. | L | L | L | L   | L   | L   | L   | L   | L   |     |
| Lane 1                                   | .. | L | L | .. | L | L | L | L | L | L | .. | L | L | .. | L | L | .. | L | R | .. | R | R | R | R   | R   | R   | R   | R   | R   |     |
| Lane 2                                   | .. | S | S | .. | S | S | S | S | S | S | .. | S | S | .. | S | S | .. | S | R | .. | R | R | R | R   | R   | R   | R   | R   | R   |     |
| Lane 3                                   | .. |   |   | .. |   |   |   |   |   |   | .. |   |   | .. |   |   | .. |   |   | .. |   |   |   |     |     |     |     |     |     |     |

||EOF|| shall always be followed by an ||IDLE|| to function with 8B/10B or 64B/66B PCS. Unbuffered switches, retimers and other retransmission devices may directly connect the XGMII receive signals to the XGMII transmit signals.

**9.8.5 XGMII primitive sequence ||Q|| rules**

Frames shall not be transmitted during Primitive Sequence transmission on the XGMII. A Primitive Sequence ||Q|| value shall be repeated:

- a) for a minimum of 512 columns (128 \* 4) when transmitted on the XGMII interface, if the Primitive Sequence protocol does not have a Primitive Sequence response;
- b) until an expected Primitive Sequence is received in response or the Primitive Sequence protocol timeout expires, if the Primitive Sequence protocol has a Primitive Sequence response.

Errors of any character of a Primitive Sequence column ||Q|| may result in the Primitive Sequence not being recognized.

Primitive Signals or frames shall not be transmitted by FC-1 for a minimum of 256 columns after the end of a Primitive Sequence to ensure they will be properly received.

1  
2  
3  
4  
5  
6  
7  
8  
9  
10  
11  
12  
13  
14  
15  
16  
17  
18  
19  
20  
21  
22  
23  
24  
25  
26  
27  
28  
29  
30  
31  
32  
33  
34  
35  
36  
37  
38  
39  
40  
41  
42  
43  
44  
45  
46  
47  
48  
49  
50  
51  
52  
53  
54  
55



1 **9.8.6 XGMII primitive signal ||P|| rules**

2  
3 The transmission of Primitive Signals ||P|| shall be prohibited during Primitive Sequence ||Q||  
4 transmission on XGMII. Receipt of a Primitive Signal during Primitive Sequence reception shall not  
5 cause an error.

6  
7 Each Primitive Signal ||P|| other than Idle shall have a minimum of two Idles preceding and following  
8 them when originated by the FC-1. Primitive Signals may be received by an FC-1 with a minimum of  
9 zero Idles preceding or following them if Idle columns (||I|| or ||IDLE||) were removed for clock  
10 frequency mismatch.

11  
12 The exception to this rule is for Consecutive Clock Sync primitives, which require three primitives in a  
13 row, preceded and followed by two Idles.

14  
15 **Table 29 – Ending primitive sequence**

16  
17

| TXI / XGMII (transmit)                   |    |   |   |    |   |   |   |   |   |   |    |    |    |    |   |   |    |   |   |    |   |   |   |   |     |     |     |     |     |     |     |
|--|----|---|---|----|---|---|---|---|---|---|----|----|----|----|---|---|----|---|---|----|---|---|---|---|-----|-----|-----|-----|-----|-----|-----|
| Lane 0                                   | .. | L | L | .. | L | I | I | I | I | I | .. | I  | I  | .. | I | I | .. | I | I | I  | I | I | I | I | I   | I   | I   | I   |     |     |     |
| Lane 1                                   | .. | R | R | .. | R | I | I | I | I | I | .. | I  | I  | .. | I | I | .. | I | I | .. | I | I | I | I | I   | I   | I   | I   | I   |     |     |
| Lane 2                                   | .. | R | R | .. | R | I | I | I | I | I | .. | I  | I  | .. | I | I | .. | I | I | .. | I | I | I | I | I   | I   | I   | I   | I   |     |     |
| Lane 3                                   | .. |   |   | .. |   | I | I | I | I | I | .. | I  | I  | .. | I | I | .. | I | I | .. | I | I | I | I | I   | I   | I   | I   | I   |     |     |
| 8B/10B PCS                               |    |   |   |    |   |   |   |   |   |   |    |    |    |    |   |   |    |   |   |    |   |   |   |   |     |     |     |     |     |     |     |
| Lane 0                                   | .. | A | L | .. | K | R | R | A | L | R | .. | A  | R  | .. | A | K | .. | A | R | .. | A | R | R | K | K   | R   | K   | R   |     |     |     |
| Lane 1                                   | .. | A | R | .. | K | R | R | A | R | R | .. | A  | R  | .. | A | K | .. | A | R | .. | A | R | R | K | K   | R   | K   | R   |     |     |     |
| Lane 2                                   | .. | A | R | .. | K | R | R | A | R | R | .. | A  | R  | .. | A | K | .. | A | R | .. | A | R | R | K | K   | R   | K   | R   |     |     |     |
| Lane 3                                   | .. | A |   | .. | K | R | R | A |   | R | .. | A  | R  | .. | A | K | .. | A | R | .. | A | R | R | K | K   | R   | K   | R   |     |     |     |
| RXI / XGMII (receive)                    |    |   |   |    |   |   |   |   |   |   |    |    |    |    |   |   |    |   |   |    |   |   |   |   |     |     |     |     |     |     |     |
| Lane 0                                   | .. | I | L | .. | I | I | I | I | L | I | .. | I  | I  | .. | I | I | .. | I | I | .. | I | I | I | I | I   | I   | I   | I   | I   |     |     |
| Lane 1                                   | .. | I | R | .. | I | I | I | I | R | I | .. | I  | I  | .. | I | I | .. | I | I | .. | I | I | I | I | I   | I   | I   | I   | I   |     |     |
| Lane 2                                   | .. | I | R | .. | I | I | I | I | R | I | .. | I  | I  | .. | I | I | .. | I | I | .. | I | I | I | I | I   | I   | I   | I   | I   |     |     |
| Lane 3                                   | .. | I |   | .. | I | I | I | I |   | I | .. | I  | I  | .. | I | I | .. | I | I | .. | I | I | I | I | I   | I   | I   | I   | I   |     |     |
| columns:                                 |    |   |   |    |   |   |   | x | 0 | 1 |    | 30 | 31 |    |   |   |    |   |   |    |   |   |   |   | 126 | 127 | 128 | 129 | 130 | 131 | 132 |
| RFC-1 / FC-1 Receive Qualified Data Path |    |   |   |    |   |   |   |   |   |   |    |    |    |    |   |   |    |   |   |    |   |   |   |   |     |     |     |     |     |     |     |
| Lane 0                                   | .. | L | L | .. | L | L | L | L | L | L | .. | L  | L  | .. | L | L | .. | L | L | .. | L | L | L | L | L   | I   | I   | I   | I   | I   |     |
| Lane 1                                   | .. | R | R | .. | R | R | R | R | R | R | .. | R  | R  | .. | R | R | .. | R | R | .. | R | R | R | R | R   | I   | I   | I   | I   | I   | I   |
| Lane 2                                   | .. | R | R | .. | R | R | R | R | R | R | .. | R  | R  | .. | R | R | .. | R | R | .. | R | R | R | R | R   | I   | I   | I   | I   | I   | I   |
| Lane 3                                   | .. |   |   | .. |   |   |   |   |   |   | .. |    |    | .. |   |   | .. |   |   | .. |   |   |   |   | I   | I   | I   | I   | I   | I   | I   |

18  
19  
20  
21  
22  
23  
24  
25  
26  
27  
28  
29  
30  
31  
32  
33  
34  
35  
36  
37  
38  
39  
40  
41  
42  
43  
44  
45  
46  
47

48 **9.8.7 EOF handling**

49  
50 **9.8.7.1 EOF disparity**

51  
52 10GFC transmits encoded data only on the XAUI interface. Since this interface has four parallel  
53 physical lanes, disparity is not calculated across the serial bit stream of the frame as it is in 1 or 2  
54 GFC. Disparity is calculated independently across each lane, and as a consequence every fourth  
55

character of a frame. Because of this characteristic, there is no need to supply two versions of EOF, and a single ordered set, EOFy\_X, is defined where y is any of the EOF variations. EOFy\_X is equivalent to the EOFy(-). This leads to a number of consequences for both Fibre Channel devices and fabric elements outlined in the following subclauses.

### 9.8.7.2 EOF transmission

The 10GFC level shall translate both EOFy(+) (if used) and EOFy(-) to EOFy\_X for transmission on XGMII.

Fabric elements shall translate the EOFy\_X received to EOFy(-) at the FC-FS layer.

### 9.8.7.3 EOF Reception

The 10GFC level may translate EOFy\_X to either EOFy(+) or EOFy(-) although EOFy(-) is the natural choice. Disparity is verified within the PCS.

The correct disparity of the EOFy will be generated if the frame is retransmitted on either 1, or 2 GFC links. Typically one bit of the data character is inverted depending on the disparity required on a single lane EOF transmission.

### 9.8.8 10GFC Errors (/E/)

A 10GFC frame with an /E/ or other control character between the SOF and EOF shall ensure the FC-1 layer or above detects the error. The preferred method is to replace an EOF which is not EOFa, with an EOF per FC-FS rules. The /E/ may be replaced by a D30.7 in some devices. See 9.4.4.

NOTE – EOFn should be replaced with EOFni, EOFdt with EOFdti or EOFrt with EOFrti.

Errors during the IFG may replace a character in error or the character where the error was detected with an /E/. This may result in /A/, /K/, /R/, k07 or any valid or invalid control character appearing on any column.

1  
2  
3  
4  
5  
6  
7  
8  
9  
10  
11  
12  
13  
14  
15  
16  
17  
18  
19  
20  
21  
22  
23  
24  
25  
26  
27  
28  
29  
30  
31  
32  
33  
34  
35  
36  
37  
38  
39  
40  
41  
42  
43  
44  
45  
46  
47  
48  
49  
50  
51  
52  
53  
54  
55

## 10 10 gigabit media independent interface (XGMII)

Much of this clause is a summary of the mapping of 10GFC to the details provided within 10GbE [13]. The intent of this standard is to provide additional information about 10GFC usage so that 10GbE and 10GFC can share the same devices.

### 10.1 Overview

This clause defines the logical and electrical characteristics for the 10 Gigabit Media Independent Interface (XGMII) as specified in 10GbE [13]. The XGMII provides an optional FC-1 electrical interconnection. The XGMII interface may be used to physically connect to external or internal devices which are common to both 10GbE and 10GFC. The XGMII Extender Sublayer (XGXS) and 10 Gigabit Attachment Unit Interface (XAUI) is defined in clause 11.

#### 10.1.1 XGMII characteristics

The XGMII has the following characteristics:

- a) It is capable of supporting 10,2 Gb/s operation;
- b) It provides independent 32-bit-wide transmit and receive data paths;
- c) It provides one control signal per byte for transmit and receive data paths;
- d) It provides one clock signal using both positive and negative going edges, for each data direction;
- e) Data and control signals are synchronous to clock references;
- f) It uses signal levels, compatible with common CMOS digital ASIC processes and some bipolar processes.

The XGMII is a very short chip-to-chip (integrated circuit to integrated circuit) interface for devices which choose not to integrate XGXS to XAUI interface. The XAUI interface is used to provide media independence for use with any of PMDs specified in this standard.

#### 10.1.2 Rate of operation

The XGMII operates at a signaling rate of exactly 2% higher than the XGMII specified in 10GbE [13].

The Transmit Clock (TX\_CLK) and the Receive Clock (RX\_CLK) frequency is 159,375 MHz +/- 100 ppm (0.01%), one-sixty-fourth of the FC-2 data rate.

#### 10.1.3 Byte lane connections

Byte lane ordering is detailed in 9.3. The TXD/TXC and RXD/RXC to lane associations are the same as defined in 10GbE [13] with the exception that 10GFC bytes are arranged in big endian order. Byte to lane connections are specified in table 30.

### 10.2 XGMII data stream

Using the control characters defined in 9.4, a general frame layout for both 10GFC and 10GbE is illustrated in table 31 below with an inter frame Idle sequence.

**Table 30 – Byte lane connections**

| 10GFC<br>TXD<br>RXD | 10GbE<br>TXD<br>RXD | 10GbE<br>TXC<br>RXC | Lane |
|---------------------|---------------------|---------------------|------|
| <31:24>             | <7:0>               | <0>                 | 0    |
| <23:16>             | <15:8>              | <1>                 | 1    |
| <15:8>              | <23:16>             | <2>                 | 2    |
| <7:0>               | <31:24>             | <3>                 | 3    |

NOTE – Although the CRC generation is the same for 10GFC and 10GbE, this byte reversal will normally result in a CRC error if received by the other standard.

**Table 31 – 10GFC and 10GbE XAUI frame layout**

| 10GFC Data Frame Format   |     |    |    |                   |                   |                   |     |     |     |     |                   |                   |     |    |    |
|---|-----|----|----|-------------------|-------------------|-------------------|-----|-----|-----|-----|-------------------|-------------------|-----|----|----|
| Lane 0 (D<31:24>)   | //  | // | // | /S/               | /d <sub>h</sub> / | /d <sub>h</sub> / | ... | /d/ | ... | /d/ | /d <sub>c</sub> / | /d <sub>t</sub> / | //  | // | // |
| Lane 1 (D<23:16>)   | //  | // | // | /ds/              | /d <sub>h</sub> / | /d <sub>h</sub> / | ... | /d/ | ... | /d/ | /d <sub>c</sub> / | /d <sub>t</sub> / | //  | // | // |
| Lane 2 (D<15:8>)  | //  | // | // | /ds/              | /d <sub>h</sub> / | /d <sub>h</sub> / | ... | /d/ | ... | /d/ | /d <sub>c</sub> / | /d <sub>t</sub> / | //  | // | // |
| Lane 3 (D<7:0>)   | //  | // | // | /ds/              | /d <sub>h</sub> / | /d <sub>h</sub> / | ... | /d/ | ... | /d/ | /d <sub>c</sub> / | /T/               | //  | // | // |
|   | IFG |    |    | SOF               | calculate CRC     |                   |     |     |     |     | CRC               | EOF               | IFG |    |    |
| 10GbE Data Frame Format   |     |    |    |                   |                   |                   |     |     |     |     |                   |                   |     |    |    |
| Lane 0 (D<7:0>)   | //  | // | // | /S/               | /d <sub>p</sub> / | /d <sub>h</sub> / | ... | /d/ | ... | /d/ | /d <sub>c</sub> / | /T/               | //  | // | // |
| Lane 1 (D<15:8>)  | //  | // | // | /d <sub>p</sub> / | /d <sub>p</sub> / | /d <sub>h</sub> / | ... | /d/ | ... | /d/ | /d <sub>c</sub> / | //                | //  | // | // |
| Lane 2 (D<23:16>)   | //  | // | // | /d <sub>p</sub> / | /d <sub>p</sub> / | /d <sub>h</sub> / | ... | /d/ | ... | /d/ | /d <sub>c</sub> / | //                | //  | // | // |
| Lane 3 (D<31:24>)   | //  | // | // | /d <sub>p</sub> / | /d <sub>p</sub> / | /d <sub>h</sub> / | ... | /d/ | ... | /d/ | /d <sub>c</sub> / | //                | //  | // | // |
|   | IFG |    |    | SOF               | calculate CRC     |                   |     |     |     |     | CRC               | IFG               |     |    |    |
| Table Key:<br>/S/d <sub>s</sub> /d <sub>s</sub> /d <sub>s</sub> / - 10GFC SOF delimiter; /S/d <sub>p</sub> /d <sub>p</sub> /d <sub>p</sub> /d <sub>p</sub> /d <sub>p</sub> /d <sub>p</sub> / - 10GbE SOF delimiter and preamble<br>/d <sub>h</sub> / - Frame header data<br>/d/ - Frame payload data<br>/d <sub>c</sub> /d <sub>c</sub> /d <sub>c</sub> /d <sub>c</sub> / - Frame CRC<br>/d <sub>t</sub> /d <sub>t</sub> /d <sub>t</sub> /T/ - 10GFC EOF delimiter; /T/ - 10GbE EOF delimiter |     |    |    |                   |                   |                   |     |     |     |     |                   |                   |     |    |    |

**10.2.1 Inter-frame gap (IFG)**

The Inter-Frame Gap (IFG) is defined as the character after the /T/ code to the character before the /S/ code.

NOTE – The 10GbE inter-packet gap includes the /T/ character and the minimum size is five bytes whereas the 10GFC IFG does not include the /T/ character resulting in a minimum of four bytes (one column).

1  
2  
3  
4  
5  
6  
7  
8  
9  
10  
11  
12  
13  
14  
15  
16  
17  
18  
19  
20  
21  
22  
23  
24  
25  
26  
27  
28  
29  
30  
31  
32  
33  
34  
35  
36  
37  
38  
39  
40  
41  
42  
43  
44  
45  
46  
47  
48  
49  
50  
51  
52  
53  
54  
55

### 10.2.2 Preamble and start of frame (SOF)

The Start of Frame ||SOF|| has /S/ on Lane 0 with three data characters on Lanes 1, 2 and 3. The preamble specified in 10GbE [13] is not applicable to 10GFC. The first eight bytes of a Fibre Channel frame include the ||SOF|| and the first four bytes of the FC Header.

### 10.2.3 Data frame size

The frame size is defined from and including the /S/ code to and including the /T/ code. For 10GFC the minimum frame size is 36 bytes and the maximum frame size is 2 148 bytes.

### 10.2.4 Data ||CRC||

CRC is calculated from the column after ||SOF|| to the two columns before ||EOF||. CRC is placed in the column immediately preceding ||EOF||. FC data is always 32-bit aligned so the CRC will always be column aligned for ||CRC||.

NOTE – Even equal data streams of all zero will result in a CRC error if generated for 10GbE and received by 10GbE plus an SOF type error if generated for 10GFC and received by 10GbE.

### 10.2.5 End of frame ||EOF||

The End of Frame ||EOF|| only uses /T/ on Lane 3 with three data characters on Lanes 0, 1 and 2.

## 10.3 XGMII fault Indications

XGMII receive interface fault conditions are indicated by receiving ||LF||. Regaining good signal level, bit and byte sync is indicated by either ||IDLE||, ||RF|| or ||OLS|| as provided by the remote node.

1  
2  
3  
4  
5  
6  
7  
8  
9  
10  
11  
12  
13  
14  
15  
16  
17  
18  
19  
20  
21  
22  
23  
24  
25  
26  
27  
28  
29  
30  
31  
32  
33  
34  
35  
36  
37  
38  
39  
40  
41  
42  
43  
44  
45  
46  
47  
48  
49  
50  
51  
52  
53  
54  
55

## 11 XGMII extender sublayer (XGXS) and 10 gigabit attachment unit interface (XAUI)

The purpose of this interface is to provide an optional electrical interconnection. The XGMII Extender Sublayer (XGXS) and Ten Gigabit Attachment Unit Interface (XAUI) may be used to physically partition FC-1 and FC-0 elements. This clause defines the logical and electrical characteristics of the XGXS and XAUI.

The XGXS and XAUI is fully specified in 10GbE [13]. The XGXS and XAUI operates at a signaling rate of 3,187.5 GBaud +/-100 ppm, exactly 2% higher than the XAUI specified in 10GbE [13].

XAUI utilizes the 8B/10B transmission code on each of its four serial lanes in support of a cumulative data rate of 10.2 Gb/s. The 8B/10B transmission code is specified in clause 12.

The XGXS and XAUI has the following characteristics:

- a) It is capable of supporting 10.2 Gb/s FC-2 payload operation;
- b) It provides a data link consisting of four independent serial transmit and receive data lanes;
- c) It employs 8B/10B transmission code over serial transmit and receive data lanes;
- d) All 8B/10B functions such as running disparity calculation and code violation detection are performed on a per lane basis;
- e) It provides mapping of FC-1 data and control signals to quad serial transmit and receive data lanes;
- f) It provides synchronization of the data stream over each data lane at the receiver;
- g) It provides deskew of the data streams across all lanes at the receiver;
- h) It provides an low EMI Idle protocol used to initialize the link and support clock tolerance compensation;
- i) It uses signal levels, compatible with common CMOS digital ASIC processes and some bipolar processes.

The implementation of the interface is an extended chip-to-chip (integrated circuit to integrated circuit) interface implemented with traces on a printed circuit board. XAUI may be used as the electrical interface to optical PCS devices.

### 11.1 XGXS and XAUI rate of operation

The signaling rate of each of four XGXS and XAUI lanes is 3,187.5 GBaud +/- 100 ppm (0.01%).

1  
2  
3  
4  
5  
6  
7  
8  
9  
10  
11  
12  
13  
14  
15  
16  
17  
18  
19  
20  
21  
22  
23  
24  
25  
26  
27  
28  
29  
30  
31  
32  
33  
34  
35  
36  
37  
38  
39  
40  
41  
42  
43  
44  
45  
46  
47  
48  
49  
50  
51  
52  
53  
54  
55



## 12 8B/10B physical coding sublayer (PCS) and physical medium attachment (PMA) sublayers

Much of this clause is a summary of the mapping of 10GFC to the details provided within 10GbE [13]. The intent of this standard is to provide additional information about 10GFC usage so that 10GbE and 10GFC can share the same devices.

### 12.1 Overview

The 8B/10B Physical Coding Sublayer (PCS) and Physical Medium Attachment (PMA) sublayers are intended for data transport across the four lane physical variants specified in clause 6. The transmission code used by PCS, referred to as 8B/10B, is identical to that specified in FC-FS and 10GbE [13].

The 10GFC PCS and PMA sublayers are generally specified in 10GbE [13]. The PCS and PMA operate at a signaling rate of 3,187.5 GBaud +/- 100 ppm, exactly 2% higher than the PCS and PMA specified in 10GbE [13]. 10GFC extensions to 10GbE [13] are specified in this clause.

The Physical Medium Dependant (PMD) sublayer allows for different physical mediums to be used having an Medium Dependant Interface (MDI) and is specified in 10GbE [13]. Note that XAUI is functionally equivalent to a physical medium.

### 12.2 Rate of operation

The signaling rate of each of the four PMA lanes is 3,187.5 GBaud +/- 100 ppm.

### 12.3 Ordered set mapping between XGMII and 8B/10B PCS

Tables 32 and 33 define the mapping of XGMII to 8B/10B PCS and 8B/10B PCS to XGMII. They are based on similar tables in 10GbE [13]. Table 34 defines Ordered Sets and special characters used by the PCS.

#### 12.3.1 8B/10B encoding

Characters are encoded and decoded using the 8B/10B scheme described in FC-FS. Additional special characters are defined for Idle generation and clock frequency mismatch management.

NOTE – ||IDLE|| normally refers to (k07-k07-k07-k07) on XGMII; // or ||| to /K/, ||A||, ||K|| or ||R|| on 8B/10B PCS.

#### 12.3.2 Data skew and multiple clock domain operation

Data is simultaneously transmitted across four lanes, and may become skewed at the receiving end due to different path delays between lanes. A column of ||A|| is used to align skewed data. ||A|| is inserted randomly between 17 and 32 columns apart during an Idle sequence.

PCS and PMA implementations which utilize multiple clock domains may result in significant skew or clock frequency mismatch between the multiple domains. A column of ||R|| may be inserted or deleted in the Idle sequence or the second consecutive ||Q|| may be deleted to adjust for multiple clock domain frequency mismatch.

**Table 32 – XGMII to 8B/10B PCS mapping**

| <b>XGMII TXC</b> | <b>XGMII TXD</b> | <b>XAUI Character</b>   | <b>Description</b>  |
|------------------|------------------|-------------------------|---|
| 0                | 00 through 0xFF  | Dx.y                    | Normal data transmission  |
| 1                | 0x07             | K28.0 or K28.3 or K28.5 | Idle in   I   column  |
| 1                | 0x07             | K28.5                   | Idle in   T   (unused by 10GFC)   |
| 1                | 0x07             | K30.7                   | Idle not in   I   or   T   column. This is an invalid special character if encoded. |
| 1                | 0x1C             | K28.0                   | Reserved XGMII character (/R/, Skip)  |
| 1                | 0x3C             | K28.1                   | Reserved XGMII character  |
| 1                | 0x5C             | K28.2                   | Primitive XGMII character (/P/)   |
| 1                | 0x7C             | K28.3                   | Reserved XGMII character (/A/, Align)   |
| 1                | 0x9C             | K28.4                   | Sequence XGMII character (/Q/)  |
| 1                | 0xBC             | K28.5                   | Reserved XGMII character (/K/, Sync)  |
| 1                | 0xDC             | K28.6                   | Reserved XGMII character  |
| 1                | 0xF7             | K23.7                   | Reserved XGMII character  |
| 1                | 0xFB             | K27.7                   | Start XGMII character (/S/)   |
| 1                | 0xFC             | K28.7                   | Reserved XGMII character  |
| 1                | 0xFD             | K29.7                   | Terminate XGMII character (/T/)   |
| 1                | 0xFE             | K30.7                   | Error XGMII character (/E/)   |
| 1                | Any other value  | K30.7                   | Invalid XGMII character (/E/)   |

Note - Values in TXD column are in hexadecimal.  
Note - Dx.y indicates any data character.  
Note - ||Q|| occurs after ||A|| otherwise ||A||, ||K|| or ||R|| occurs on XAUI during XGMII idles.  
Note - Errors may allow /A/, /R/ or /K/ to appear on XGMII

## 12.4 8B/10B PCS to XGMII mapping

### 12.4.1 Reserved codes

The following codes are reserved for future use and shall be passed through all devices: K28.1, K28.6 and K23.7.

NOTE – K28.7 is not supported by 64B/66B devices and generates an unaligned comma-character when two are adjacent. 64B/66B devices pass through the reserved codes if they are part of a stream of control characters but not if they are mixed with data characters.

Errors may allow /A/, /R/ or /K/ to appear on XGMII.

### 12.4.2 Invalid characters

Invalid characters include both code violations and disparity errors. There are 12 legal special characters: K23.7, K27.7, K28.0 through K28.7, K29.7 and K30.7.

**Table 33 – 8B/10B PCS to XGMII mapping**

| XGMII RXC  | XGMII RXD       | XAUI Character          | Description  |
|--|-----------------|-------------------------|--|
| 0  | 00 through 0xFF | Dx.y                    | Normal data reception  |
| 1  | 0x07            | K28.0 or K28.3 or K28.5 | Idle in       column. This is an illegal special character used to represent Idle. |
| 1  | 0x07            | K28.5                   | Idle in   T   (unused by 10GFC)  |
| 1  | 0x1C            | K28.0                   | XGMII /R/ not in   |
| 1  | 0x3C            | K28.1                   | Reserved XGMII character   |
| 1  | 0x5C            | K28.2                   | Primitive XGMII character (/P/)  |
| 1  | 0x7C            | K28.3                   | XGMII /A/ not in   |
| 1  | 0x9C            | K28.4                   | Sequence XGMII character (/Q/)   |
| 1  | 0xBC            | K28.5                   | XGMII /K/ not in       or   T  |
| 1  | 0xDC            | K28.6                   | Reserved XGMII character   |
| 1  | 0xF7            | K23.7                   | Reserved XGMII character   |
| 1  | 0xFB            | K27.7                   | Start XGMII character (/S/)  |
| 1  | 0xFC            | K28.7                   | Reserved XGMII character   |
| 1  | 0xFD            | K29.7                   | Terminate XGMII character (/T/)  |
| 1  | 0xFE            | K30.7                   | Error XGMII character (/E/)  |
| 1  | 0xFE            | Invalid character       | Received character   |
| Note - Values in RXD column are in hexadecimal.            |                 |                         |  |
| Note - Dx.y indicates any data character.                  |                 |                         |  |
| Note - Errors may allow /A/, /R/ or /K/ to appear on XGMII |                 |                         |  |

#### 12.4.3 Terminate ||T||

The column following the ||T|| will always be an ||IDLE|| on the XGMII transmit data path and a ||A|| or ||K|| on the 8B/10B PCS receiver. 10GFC only uses 10GbE [13] ||T<sub>3</sub>||.

#### 12.4.4 Error /E/

A column which contains an /E/ character on the XGMII transmit path is transmitted unaffected. /E/ is generated on a per lane basis for 8B/10B code violations or disparity errors. An /E/ is forwarded once generated. Errors may result in /R/, /K/ or /A/ characters on XGMII. See annex D for details.

#### 12.5 Transmit and Receive state diagrams

The 8B/10B PCS Transmit Source State Diagram and the PCS Receive State Diagram from 10GbE [13] are summarized in annex D.

**Table 34 – Ordered sets and special characters**

| Abbr.   | Ordered Set                     | Number of Characters | 8B/10B Encoding   |
|---|---------------------------------|----------------------|---|
| I   | <b>IDLE</b>                     |                      | <b>Substitute for XGMII   Idle  </b>                          |
| K   | Sync column                     | 4                    | K28.5 - K28.5 - K28.5 - K28.5                                 |
| R   | Skip column                     | 4                    | K28.0 - K28.0 - K28.0 - K28.0                                 |
| A   | Align column                    | 4                    | K28.3 - K28.3 - K28.3 - K28.3                                 |
|   | <b>Encapsulation</b>            |                      |   |
| SOFx  <br>or   S  | Start of Frame                  | 4                    | K27.7 - Dx.y - Dx.y - Dx.y                                    |
| EOF  <br>or   T   | End of Frame                    | 4                    | Dx.y - Dx.y - Dx.y - K29.7                                    |
|   | <b>Control</b>                  |                      |   |
| /E/   | Error character                 | 1                    | /K30.7/   |
|   | <b>Primitive Sequence</b>       |                      |   |
| Q   | XGMII Sequence column           | 4                    | K28.4 - Dx.y - Dx.y - Dx.y                                    |
| A  ,<br>  Q   | PCS Sequence column on transmit | 8                    | K28.3 - K28.3 - K28.3 - K28.3 then K28.4 - Dx.y - Dx.y - Dx.y |
| Q   | Primitive Sequence              | 4                    | K28.4 - Dx.y - Dx.y - Dx.y                                    |
| LF  | Local_Fault                     | 4                    | K28.4 - D0.0 - D0.0 - D1.0                                    |
| RF  | Remote_Fault                    | 4                    | K28.4 - D0.0 - D0.0 - D2.0                                    |
| -   | others                          | 4                    | See clause 9  |
|   | <b>Primitive Signal</b>         |                      |   |
| P   | Primitive Signal                | 4                    | K28.2 - Dx.y - Dx.y - Dx.y                                    |
| -   | others                          | 4                    | See clause 9  |
| <b>Note - 10GFC only uses 10GbE [13] value   T<sub>3</sub>  .   T<sub>0</sub>  ,   T<sub>1</sub>   or   T<sub>2</sub>   are never used.</b> |                                 |                      |   |

1  
2  
3  
4  
5  
6  
7  
8  
9  
10  
11  
12  
13  
14  
15  
16  
17  
18  
19  
20  
21  
22  
23  
24  
25  
26  
27  
28  
29  
30  
31  
32  
33  
34  
35  
36  
37  
38  
39  
40  
41  
42  
43  
44  
45  
46  
47  
48  
49  
50  
51  
52  
53  
54  
55

### 13 Physical coding sublayer (PCS) for 64B/66B

64B/66B transmission code is intended for 10,2 Gb/s data transport across a single fiber optic cable. The primary reason for the development of this code is to provide minimal overhead above the 10,2 Gb/s serial data rate to allow the use of optoelectronic components developed for other high volume 10 Gb/s communications applications such as SONET OC-192.

The 64B/66B transmission code is specified in 10GbE [13]. The 10GFC 64B/66B transmission code operates at a signaling rate of exactly 2% higher than the 64B/66B transmission code specified in 10GbE [13]. 10GFC extensions to 10GbE [13] are specified in this clause.

#### 13.1 Single lane 64B/66B bit encoding

Data may be assembled from the XGMII interface into 64-bit words. Data is assembled from 32-bit words into 64-bit word quantities. Fibre Channel Data and Control words may appear in combinations which are a subset of all possible combinations specified in 10GbE [13].

64-bit blocks are divided into two classes; containing only Data, or containing an Ordered Set. Those blocks containing an Ordered Set prepend an eight bit code to identify the specific format of the block and map the remaining characters to four, seven or eight-bit codes, depending on block type, to identify the type and order of the Ordered Sets. In some cases a character is also encoded implicit in the block type identifier (Start and Terminate characters for instance). All 64-bits of the all Data or Ordered Set block are then scrambled using the equation specified in 10GbE [13]. A two bit sync header is then added to each 64-bit block; an all Data block will receive a 01b sync header and an Ordered Set block will receive a 10b sync header. The 66-bit block is then ready for transmission.

1  
2  
3  
4  
5  
6  
7  
8  
9  
10  
11  
12  
13  
14  
15  
16  
17  
18  
19  
20  
21  
22  
23  
24  
25  
26  
27  
28  
29  
30  
31  
32  
33  
34  
35  
36  
37  
38  
39  
40  
41  
42  
43  
44  
45  
46  
47  
48  
49  
50  
51  
52  
53  
54  
55

1 **14 10 gigabit sixteen bit interface (XSBI)**

2  
3  
4  
5  
6  
7  
8  
9  
10  
11  
12  
13  
14  
15  
16  
17  
18  
19  
20  
21  
22  
23  
24  
25  
26  
27  
28  
29  
30  
31  
32  
33  
34  
35  
36  
37  
38  
39  
40  
41  
42  
43  
44  
45  
46  
47  
48  
49  
50  
51  
52  
53  
54  
55

The purpose of this interface is to provide an optional FC-1 electrical interconnection. The XSBI is a 16:1 Mux/Demux Interface (XSBI) applicable to serial fiber optic physical variants.

The XSBI is specified in 10GbE [13]. The 10GFC XSBI transmission code operates at a signaling rate of exactly 2% higher than the XSBI specified in 10GbE [13].

1  
2  
3  
4  
5  
6  
7  
8  
9  
10  
11  
12  
13  
14  
15  
16  
17  
18  
19  
20  
21  
22  
23  
24  
25  
26  
27  
28  
29  
30  
31  
32  
33  
34  
35  
36  
37  
38  
39  
40  
41  
42  
43  
44  
45  
46  
47  
48  
49  
50  
51  
52  
53  
54  
55



1 **15 Port management**

2  
3  
4  
5  
6  
7  
8  
9  
10  
11  
12  
13  
14  
15  
16  
17  
18  
19  
20  
21  
22  
23  
24  
25  
26  
27  
28  
29  
30  
31  
32  
33  
34  
35  
36  
37  
38  
39  
40  
41  
42  
43  
44  
45  
46  
47  
48  
49  
50  
51  
52  
53  
54  
55

The purpose of this clause is to provide an optional two-signal management interface that provide access to management parameters and services and register set.

The management interface has the following characteristics:

- a) It includes a bi-directional data signal;
- b) It includes a clock signal;
- c) It includes a basic and extended management register set accessible via the management signals;
- d) It provides physical and logical addressing to distinguish between multiple instantiations of the interface to multiple physical layer elements of the same link or links within the same Node.

When the optional port management is supported, it shall meet the requirements specified for the Management Data Input/Output (MDIO) Interface specified in 10GbE [13] plus any extensions in this clause. Currently no extensions are specified.

1  
2  
3  
4  
5  
6  
7  
8  
9  
10  
11  
12  
13  
14  
15  
16  
17  
18  
19  
20  
21  
22  
23  
24  
25  
26  
27  
28  
29  
30  
31  
32  
33  
34  
35  
36  
37  
38  
39  
40  
41  
42  
43  
44  
45  
46  
47  
48  
49  
50  
51  
52  
53  
54  
55

## Annex A: Cable plant employing cross-connects (Informative)

### A.1 Characteristics of fiber optic cabling

The primary difference between the Tables contained in this Annex and those given in Clause 8 is a difference in the allocation for connection and splice loss. The maximum link distances for multimode and single mode fibre are calculated based on an allocation of 2,4 dB (based on statistical sampling) total connection and splice loss. The connection insertion loss allowance is designed to support usage of two cross-connects in the channel link budget. The insertion loss is specified for a connection that consists of a mated pair of optical connectors. Different loss characteristics may be used provided the loss requirements of table A.1 or table A.2 are met.

**Table A.1 – Optical interface, cable plant and link budget (serial and parallel variants)**

| Description  | 1200-M5-SN-I     | 1200-M5E-SN-I       | 1200-M6-SN-I     | 1200-M5-SN4P-I   | 1200-M5E-SN4P-I     | 1200-M6-SN4P-I   | 1200-SM-LL-L |
|--|------------------|---------------------|------------------|------------------|---------------------|------------------|--------------|
| <b>Subclause</b>                                     | 6.2              |                     |                  | 6.1              |                     |                  | 6.4          |
| <b>Nominal operating wavelength (nm)</b>             | 850              |                     |                  |                  |                     |                  | 1310         |
| <b>Signalling rate (Gbd)</b>                         | 10,518 75        |                     |                  | 3,187 5          |                     |                  | 10,518 75    |
| <b>Modal bandwidth (MHz•km)<sup>1</sup></b>          | 500 <sup>2</sup> | 2000 <sup>3,4</sup> | 200 <sup>2</sup> | 500 <sup>2</sup> | 2000 <sup>3,4</sup> | 200 <sup>2</sup> | N/A          |
| <b>Operating range (m)</b>                           | 0,5-80           | 0,5-280             | 0,5-33           | 0,5-120          | 0,5-200             | 0,5-57           | 2 - 9,200    |
| <b>Channel insertion loss (dB)<sup>7</sup></b>       | 2,7              | 3,4                 | 2,5              | 2,8              | 3,1                 | 2,6              | 6,1          |
| <b>Allocation for penalties<sup>5</sup></b>          | 4,5              | 3,9                 | 4,5              | 3,1              | 2,9                 | 3,3              | 3,3          |
| <b>Additional insertion loss allowed<sup>6</sup></b> | 0,1              | 0,0                 | 0,3              | 0,0              | 0,0                 | 0,0              | 0,0          |

Notes:

- 1 Some users may want to install higher modal bandwidth fiber to facilitate future use of the cable plant for higher bit rate applications. For shorter distances, a lower bandwidth may be substituted provided the performance requirements are met.
- 2 Minimum modal bandwidth at 850 nm using an overfilled launch (OFL) per IEC 60793-1-41 or TIA/EIA-455-204.
- 3 Minimum effective modal bandwidth at 850 nm per IEC PAS 60793-1-49 or TIA/EIA 455-220. Fibers shall comply with TIA-492AAAC.
- 4 See transmitter specifications in clause 6 for encircled flux requirements.
- 5 Link penalties are used for link budget calculations. They are not requirements and are not meant to be tested. A wavelength of 840 nm is used to calculate link penalties and additional insertion loss for serial PMDs with a nominal operating wavelength of 850 nm. A wavelength of 830 nm is used to calculate link penalties and additional insertion loss for parallel PMDs with a nominal operating wavelength of 850 nm. A wavelength of 1260 nm is used to calculate link penalties and additional insertion loss for serial PMDs with a nominal operating wavelength of 1310 nm.
- 6 This parameter is informational only and not required for 10GFC systems. The additional allowable insertion loss may be combined with the channel insertion loss to meet measured channel insertion loss but not to increase operating distance. Additional allowable insertion loss may be used to overcome insertion loss higher than the Channel insertion loss value and in some cases may be less than the value shown.
- 7 At nominal operating wavelength.

**Table A.2 – Optical interface, cable plant and link budget (CWDM variants)**

| PMD  | 1200-M5-SN4-I    | 1200-M5E-SN4-I      | 1200-M6-SN4-I    | 1200-M5-LC4-L    | 1200-M6-LC4-L    | 1200-SM-LC4-L |
|--|------------------|---------------------|------------------|------------------|------------------|---------------|
| Subclause  | 6.3              |                     |                  | 6.5              |                  |               |
| Nominal operating wavelength (nm)                | 850              |                     |                  | 1300             | 1310             |               |
| Signalling rate (Gbd)                            | 3,187 5          |                     |                  |                  |                  |               |
| Modal bandwidth (MHz•km) <sup>1</sup>            | 500 <sup>2</sup> | 1500 <sup>3,4</sup> | 200 <sup>2</sup> | 500 <sup>2</sup> | 500 <sup>2</sup> | N/A           |
| Operating range (m)                              | 0,5-270          | 0,5-520             | 0,5-118          | 0,5-250          | 0,5-270          | 2 - 9 200     |
| Channel insertion loss (dB) <sup>7</sup>         | 3,3              | 4,2                 | 2,8              | 2,8              | 2,8              | 6,1           |
| Allocation for penalties <sup>5</sup>            | 4,3              | 3,2                 | 4,8              | 4,5              | 4,6              | 2,0           |
| Additional allowable insertion loss <sup>6</sup> | 0,0              | 0,0                 | 0,2              | 0,2              | 0,1              | 0,0           |

Notes:

- 1 Some users may want to install higher modal bandwidth fiber to facilitate future use of the cable plant for higher bit rate applications. For shorter distances, a lower bandwidth may be substituted provided the performance requirements are met.
- 2 Minimum modal bandwidth at 850 nm using an overfilled launch (OFL) per IEC 60793-1-41 or TIA/EIA-455-204.
- 3 Minimum effective modal bandwidth at 850 nm per IEC PAS 60793-1-49 or TIA/EIA 455-220. Fibers shall comply with TIA-492AAAC.
- 4 See transmitter specifications in clause 6 for encircled flux requirements.
- 5 Link penalties are used for link budget calculations. They are not requirements and are not meant to be tested. A wavelength of 772,5 nm is used to calculate link penalties and additional insertion loss for PMDs with a nominal operating wavelength of 850 nm. A wavelength of 1269 nm is used to calculate link penalties and additional insertion loss for PMDs with a nominal operating wavelength of 1310 nm.
- 6 This parameter is informational only and not required for 10GFC systems. The additional allowable insertion loss may be combined with the channel insertion loss to meet measured channel insertion loss but not to increase operating distance. Additional allowable insertion loss may be used to overcome insertion loss higher than the Channel insertion loss value and in some cases may be less than the value shown.
- 7 At nominal operating wavelength.

1  
2  
3  
4  
5  
6  
7  
8  
9  
10  
11  
12  
13  
14  
15  
16  
17  
18  
19  
20  
21  
22  
23  
24  
25  
26  
27  
28  
29  
30  
31  
32  
33  
34  
35  
36  
37  
38  
39  
40  
41  
42  
43  
44  
45  
46  
47  
48  
49  
50  
51  
52  
53  
54  
55

**Annex B: 10GFC to SONET mapping  
(Normative)**

1  
2  
3  
4  
5  
6  
7  
8  
9  
10  
11  
12  
13  
14  
15  
16  
17  
18  
19  
20  
21  
22  
23  
24  
25  
26  
27  
28  
29  
30  
31  
32  
33  
34  
35  
36  
37  
38  
39  
40  
41  
42  
43  
44  
45  
46  
47  
48  
49  
50  
51  
52  
53  
54  
55

At the time of the 10GFC writing, there was no clear application for the direct mapping of 10GFC payload to SONET, SDH [16] or OTN [17]. It is the intention of the Fibre Channel community that at such a time as the market demands it, a 10GFC interface mapping will be defined to attach to a physical layer that is data-rate and format compatible with the SONET STS-192c transmission format defined by ANSI, as well as the Synchronous Digital Hierarchy (SDH) VC-4-64c container specified by ITU-T. If and when such a mapping is defined, it shall use the value hex '1C' for the Signal Label (C2 Byte) to denote 10GFC. This value has been registered with the ITU-T to identify 10GFC traffic.

1  
2  
3  
4  
5  
6  
7  
8  
9  
10  
11  
12  
13  
14  
15  
16  
17  
18  
19  
20  
21  
22  
23  
24  
25  
26  
27  
28  
29  
30  
31  
32  
33  
34  
35  
36  
37  
38  
39  
40  
41  
42  
43  
44  
45  
46  
47  
48  
49  
50  
51  
52  
53  
54  
55

## **Annex C: FC-AL-2 to 10GFC mapping (Informative)**

10GFC does not support Arbitrated Loop operation. This annex is provided as a summary of how to modify 10GFC for Fibre Channel Arbitrated Loop operation. It also describes how a 10GFC implementation with a legacy FC-AL-2 Loop Port State Machine can be forced to operate in point-to-point mode.

### **C.1 Overview**

Most of the arbitrated loop primitive signals can be sent continuously for a long time. This is incompatible with the needs of the PHY. 10GbE [13] defined Fsig (ordered set beginning with K28.2) was created for the needs of ordered sets which are not deletable and not sent continuously. 10GbE [13] defined Fseq (ordered set beginning with K28.4) was created for the ordered sets that are sent continuously and are deletable. An arbitrated loop could send signals such as ARB for thousands of byte times. There are two problems with sending a continuous stream. It can cause EMI problems because any periodic signal will cause spectral peaks which can be about 20 dB above the spectrum of the randomized idle. It does not present opportunities for the XGXS or PCS to do clock compensation. XGXS and the PCS are defined to do clock compensation by deleting Idles or Fseq.

Continuous streams of Fsig will require a more complex behavior where the PHY sublayer devices will need to know that some Fsig ordered sets are deletable while others are not. This means that they will behave differently than the 10 Gig Ethernet PHYs and it defeats the purpose of creating separate Fsig and Fseq ordered sets. This can be fixed by changing the Arbitrated loop primitive signals to use the Fseq ordered set or remove support for arbitrated loop. This will resolve both problems though it does result in increasing the per node delay because Fseq signals are sent only after /A/ in the 8B/10B coding. This could be mitigated somewhat by allowing the 10 GFC RS to recognize the arbitrated loop primitive signals after receiving 2 matching Fseq signals rather than 4.

### **C.2 FC-AL-2 mapping**

If 10GFC supports FC-AL-2 operation in the future, proposed translations for FC-AL-2 primitive signals are defined in table C.1 and primitive sequences in table C.2.

#### **C.2.1 Unsupported FC-1 ordered sets**

10GFC does not support the continuous transmission of the FC-AL-2 ARB primitive signal, as it would violate the following 10GFC rule: Each primitive signal ||P|| other than Idle shall have a minimum of two Idles preceding and following them when originated by the FC-1. New rules are needed to support loop arbitration and provide periodic Idles which may be deleted.

#### **C.3 Concerns about FC-AL-2 operation**

FC-AL-2 Loop Port State Machine (LPSM) would require modification within the 8B/10B PCS to provide for arbitrated loop operation at the XAUI interface.

Operation in arbitrated loop for 10GFC might be extremely inefficient if it were handled above the XGMII interface. Per node physical layer delay is about 10 word or 40 byte times for the receive path, plus about four word or 32 byte times from XGMII receive to XGMII transmit, then about 10 words or 40 byte times for the transmit path. That means that it would take 1120 or more byte times to arbitrate a 10 node loop. There is a similar delay for the open and for R\_RDY propagation. Throughput on a 10 Gb/s arbitrated loop may be poor unless the devices using it are implemented such that they exchange a number of frames per arbitration and their buffer-to-buffer flow control allows enough credit to minimize the need to wait for R\_RDY.

**Table C.1 – Primitive signals (arbitrated loop)**

| Abbr.                  | Delimiter Function       | Interface | Ordered Set Lane 0-1-2-3      |
|------------------------|--------------------------|-----------|-------------------------------|
| CLS<br>CLS_X           | Close                    | FC-AL-2   | K28.5 - D5.4 - D21.5 - D21.5  |
|                        |                          | 10GFC     | K28.2 - D5.4 - D21.5 - D21.5  |
| DHD<br>DHD_X           | Dynamic Half-Duplex      | FC-AL-2   | K28.5 - D10.4 - D21.5 - D21.5 |
|                        |                          | 10GFC     | K28.2 - D10.4 - D21.5 - D21.5 |
| MRKtx<br>MRKtx_X       | Mark                     | FC-AL-2   | K28.5 - D31.2 - MK_TP - AL_PS |
|                        |                          | 10GFC     | K28.2 - D31.2 - MK_TP - AL_PS |
| OPNyx<br>OPNyx_X       | Open full-duplex         | FC-AL-2   | K28.5 - D17.4 - AL_PD - AL_PS |
|                        |                          | 10GFC     | K28.2 - D17.4 - AL_PD - AL_PS |
| OPNyy<br>OPNyy_X       | Open half-duplex         | FC-AL-2   | K28.5 - D17.4 - AL_PD - AL_PD |
|                        |                          | 10GFC     | K28.2 - D17.4 - AL_PD - AL_PD |
| OPNyr<br>OPNyr_X       | Open selective replicate | FC-AL-2   | K28.5 - D17.4 - AL_PD - D31.7 |
|                        |                          | 10GFC     | K28.2 - D17.4 - AL_PD - D31.7 |
| OPNfr<br>OPNfr_X       | Open broadcast replicate | FC-AL-2   | K28.5 - D17.4 - D31.7 - D31.7 |
|                        |                          | 10GFC     | K28.2 - D17.4 - D31.7 - D31.7 |
| ARB(val)<br>ARB_X(val) | Arbitrate                | FC-AL-2   | K28.5 - D20.4 - val - val     |
|                        |                          | 10GFC     | K28.2 - D20.4 - val - val     |

**Table C.2 – Primitive sequences (arbitrated loop)**

| Abbr.                      | Delimiter Function             | Interface | Ordered Set Lane 0-1-2-3      |
|----------------------------|--------------------------------|-----------|-------------------------------|
| LIP(F7,F7)<br>LIP_X(F7,F7) | Loop Initialization--F7,F7     | FC-AL-2   | K28.5 - D21.0 - D23.7 - D23.7 |
|                            |                                | 10GFC     | K28.4 - D21.0 - D23.7 - D23.7 |
| LIP(F8,F7)<br>LIP_X(F8,F7) | Loop Initialization--F8,F7     | FC-AL-2   | K28.5 - D21.0 - D24.7 - D23.7 |
|                            |                                | 10GFC     | K28.4 - D21.0 - D24.7 - D23.7 |
| LIP(F7,x)<br>LIP_X(F7,x)   | Loop Initialization--F7,x      | FC-AL-2   | K28.5 - D21.0 - D23.7 - AL_PS |
|                            |                                | 10GFC     | K28.4 - D21.0 - D23.7 - AL_PS |
| LIP(F8,x)<br>LIP_X(F8,x)   | Loop Initialization--F8,x      | FC-AL-2   | K28.5 - D21.0 - D24.7 - AL_PS |
|                            |                                | 10GFC     | K28.4 - D21.0 - D24.7 - AL_PS |
| LIPyx<br>LIP_Xyx           | Loop Initialization--reset     | FC-AL-2   | K28.5 - D21.0 - AL_PD - AL_PS |
|                            |                                | 10GFC     | K28.4 - D21.0 - AL_PD - AL_PS |
| LIPfx<br>LIP_Xfx           | Loop Initialization--reset all | FC-AL-2   | K28.5 - D21.0 - D31.7 - AL_PS |
|                            |                                | 10GFC     | K28.4 - D21.0 - D31.7 - AL_PS |
| LPByx<br>LPB_Xyx           | Loop Port Bypass               | FC-AL-2   | K28.5 - D9.0 - AL_PD - AL_PS  |
|                            |                                | 10GFC     | K28.4 - D9.0 - AL_PD - AL_PS  |
| LPBfx<br>LPB_Xfx           | Loop Port Bypass all           | FC-AL-2   | K28.5 - D9.0 - D31.7 - AL_PS  |
|                            |                                | 10GFC     | K28.4 - D9.0 - D31.7 - AL_PS  |
| LPEyx<br>LPE_Xyx           | Loop Port Enable               | FC-AL-2   | K28.5 - D5.0 - AL_PD - AL_PS  |
|                            |                                | 10GFC     | K28.4 - D5.0 - AL_PD - AL_PS  |
| LPEfx<br>LPE_Xfx           | Loop Port Enable all           | FC-AL-2   | K28.5 - D5.0 - D31.7 - AL_PS  |
|                            |                                | 10GFC     | K28.4 - D5.0 - D31.7 - AL_PS  |

1  
2  
3  
4  
5  
6  
7  
8  
9  
10  
11  
12  
13  
14  
15  
16  
17  
18  
19  
20  
21  
22  
23  
24  
25  
26  
27  
28  
29  
30  
31  
32  
33  
34  
35  
36  
37  
38  
39  
40  
41  
42  
43  
44  
45  
46  
47  
48  
49  
50  
51  
52  
53  
54  
55



1 **C.4 Forcing LPSM to Point-to-Point Mode**

2  
3  
4  
5  
6  
7  
8  
9  
10  
11  
12  
13  
14  
15  
16  
17  
18  
19  
20  
21  
22  
23  
24  
25  
26  
27  
28  
29  
30  
31  
32  
33  
34  
35  
36  
37  
38  
39  
40  
41  
42  
43  
44  
45  
46  
47  
48  
49  
50  
51  
52  
53  
54  
55

If a 10GFC implementation uses a legacy FC-AL-2 Loop Port State Machine (LPSM), the LPSM can be forced to point-to-point mode by asserting the REQ(old-port) input to the LPSM. Other mechanisms may be defined.

1  
2  
3  
4  
5  
6  
7  
8  
9  
10  
11  
12  
13  
14  
15  
16  
17  
18  
19  
20  
21  
22  
23  
24  
25  
26  
27  
28  
29  
30  
31  
32  
33  
34  
35  
36  
37  
38  
39  
40  
41  
42  
43  
44  
45  
46  
47  
48  
49  
50  
51  
52  
53  
54  
55

## Annex D: 8B/10B PCS State Diagrams (Informative)

This annex is provided as a summary of how the 8B/10B PCS state diagrams function when transferring 10GbE [13] or 10GFC data and primitives. See 10GbE [13] for the details.

### D.1 Overview

This is a description of operation of the primary state diagrams as defined in the 10GbE [13]. State diagrams, then tables, then figures and finally text take precedence in 10GbE [13].

### D.2 Transmit source state diagram

The 8B/10B PCS Transmit Source State Diagram in 10GbE [13] must be followed exactly to ensure interoperation with other devices. This clause provides a verbal explanation of how the Transmit State Machine functioned as of 10GbE [13].

A global reset statement forces either the SEND\_K state to be executed until the reset statement is false.

A RESET signal forces the SEND\_K state to be executed until it is false. When RESET is false and the XGMII transmit path does contain an ||IDLE|| or ||Q||, random ||A||, ||K||, ||R|| or ||A|| then ||Q|| will be issued by the 8B/10B PCS.

When the RESET signal is false and the XGMII transmit path does not contain an ||IDLE|| or ||Q||, the SEND\_DATA state will be continuously executed. Then when the XGMII transmit path does contain an ||IDLE|| or ||Q||, random ||A||, ||K||, ||R|| or ||A|| followed by ||Q|| will be issued by the 8B/10B PCS.

NOTE – Only |||| or ||Q|| on the XGMII transmit path will exercise the random nature of the ||A||, ||K|| and ||R|| generation.

||P|| or ||Q|| must never be next to ||T|| to function with 8B/10B or 64B/66B PCS devices. This requires ||T|| to always be followed by an ||IDLE|| on the XGMII transmit path and no device shall delete the column following ||T||.

The column following ||T|| must be either ||A|| or ||K|| for the 10GbE [13] 8B/10B check-end function to reflect disparity errors within a frame back to the CRC or EOF columns.

#### D.2.1 Send data state

Any character received on the XGMII transmit path which is not an ||IDLE|| or ||Q|| while RESET is false will always be sent to the 8B/10B PCS while in the SEND\_DATA state. Each lane will be encoded on a lane basis. 10GFC has no additional requirements above those in 10GbE [13].

NOTE – ||A||, ||K|| and ||R|| on the XGMII transmit path are undefined by 10GbE [13] or 10GFC. The XAUI outputs should not be tested using this method. Many devices will duplicate the ||A||, ||K||, ||R|| or ||P|| sequences from XGMII to XAUI unless internal character deletion is required.

#### D.2.2 Transmission errors

Any XGMII column containing an /E/ character will be sent in the SEND\_DATA state. If the column with the /E/ is followed by an Idle, the Idle will be encoded as an ||A|| or ||K|| per the transition conditions for SEND\_A and SEND\_K states.

No illegal special characters are to be transmitted. For 10GbE [13], XGMII // or k07 not in ||| or ||T|| will be encoded as an /E/. 1  
2

### D.2.3 Primitive signal ||P|| transmission 3 4

Primitive Signals ||P|| are single Ordered Sets detected on the XGMII transmit data path. ||P|| will be encoded as they are detected. They will be substituted for the next ||A||, ||R||, or ||K|| column which would otherwise be transmitted. 5  
6  
7  
8

A Primitive Signal ||P|| on the XGMII transmit path will always be sent to the 8B/10B PCS while in the SEND\_DATA state. ||P|| will always be followed by ||K|| ||R|| or ||A|| ||R|| unless clock frequency mismatch management has removed the ||R||, an error was detected or Q\_det is set. Some XGMII to 8B/10B PCS translation examples follow using a simplified syntax to show the various column patterns: PIIP to PARP, PKRP or PAQP; PIP to PKPKP, PAPKP or PKPAP, where I= |||, P= ||P||, A= ||A||, R= ||R||, K= ||K|| and Q= ||Q||. 9  
10  
11  
12  
13  
14  
15

### D.2.4 Primitive sequence ||Q|| transmission 16 17

A Primitive Sequence ||Q|| is an Ordered Set which is transmitted continuously when originated by the FC-1 level. In order to reduce EMI it is desirable to combine Primitive Sequence with the randomized Idle pattern. As long as one Primitive Sequence ||Q|| is recognized on the transmit XGMII, at least one Primitive Sequence Ordered Set will be sent. If a different Primitive Sequence Ordered Set is received, that Ordered Set is substituted for the previous one, and Primitive Sequence transmission continues. A continuous stream of ||Q|| on XGMII will result in a XAU stream where ||Q|| is only transmitted after an ||A|| and ||Q|| is always followed by an ||R|| or ||K|| at the transmitter. 18  
19  
20  
21  
22  
23  
24  
25

If ||Q|| was detected on the XGMII transmit data path while the Transmit Source State Diagram is in the SEND\_DATA state, Q\_det would be set and either the SEND\_A or SEND\_K states would be entered depending on the value of A\_CNT or whether an ||A|| was sent when SEND\_DATA state was last exited. If ||Q|| occurred while not in the SEND\_DATA state, random ||K|| or ||R|| would be sent until the next occurrence of ||A||. If ||Q|| is sent after ||A||, Q\_det is reset. If some character other than ||IDLE|| or ||Q|| occurs when ||Q|| is to be sent, that character is encoded in the SEND\_DATA state and Q\_det is not reset. ||Q|| is always transmitted immediately after ||A||. 26  
27  
28  
29  
30  
31  
32  
33

The mixing of ||Q|| and any other ordered set like ||P|| is handled by the state diagram as described above. The mixing ||Q|| and ||P|| requires ||Q|| to be repeated to ensure it is correctly received. ||P|| shall not be transmitted during ||Q|| for 10GFC. See 9.8.5 and 9.8.6 for more 10GFC requirements. 34  
35  
36  
37

### D.2.5 Idle pattern ||| generation 38 39

XGMII Idle Primitives ||IDLE|| (k07 - k07 - k07 - k07) are translated to columns of ||A||, ||R||, and ||K|| when sent to the 8B/10B PCS. The ||A||, ||R||, and ||K|| columns are randomized in order to reduce EMI emissions. The rules of transmission follow those specified in 10GbE [13]. Nevertheless, some side effects are noted in this subclause for convenience. 40  
41  
42  
43  
44

#### D.2.5.1 ||A|| generation and transmission 45 46

The ||A|| column follows the insertion rule of between 17 and 32 columns apart. There are a minimum of 16 columns between each /A/. A random value (A\_CNT) is loaded when the ||A|| is transmitted, and decremented to zero, at which time another ||A|| is transmitted when allowed by the PCS transmit source state diagram. An example is shown in table D.1 with a count of 16 loaded the first time and a random count of 16 to 31 is loaded when the next ||A|| is transmitted. 47  
48  
49  
50  
51  
52

**Table D.1 – Idle pattern generation**

| XGMII (transmit) |     |                   |      |      |     |     |     |     |     |     |     |     |     |     |     |     |     |     |     |     |      |     |     |
|------------------|-----|-------------------|------|------|-----|-----|-----|-----|-----|-----|-----|-----|-----|-----|-----|-----|-----|-----|-----|-----|------|-----|-----|
| Lane 0           | d   | d <sub>c</sub>    | dt   | I    | I   | I   | I   | I   | I   | I   | I   | I   | I   | I   | I   | I   | I   | I   | I   | I   | I    | I   | I   |
| Lane 1           | d   | d <sub>c</sub>    | dt   | I    | I   | I   | I   | I   | I   | I   | I   | I   | I   | I   | I   | I   | I   | I   | I   | I   | I    | I   | I   |
| Lane 2           | d   | d <sub>c</sub>    | dt   | I    | I   | I   | I   | I   | I   | I   | I   | I   | I   | I   | I   | I   | I   | I   | I   | I   | I    | I   | I   |
| Lane 3           | d   | d <sub>c</sub>    | T    | I    | I   | I   | I   | I   | I   | I   | I   | I   | I   | I   | I   | I   | I   | I   | I   | I   | I    | I   | I   |
| 8B/10B PCS       |     |                   |      |      |     |     |     |     |     |     |     |     |     |     |     |     |     |     |     |     |      |     |     |
| Lane 0           | /d/ | /d <sub>c</sub> / | /dt/ | /IA/ | /R/ | /K/ | /K/ | /R/ | /R/ | /K/ | /K/ | /K/ | /K/ | /R/ | /R/ | /K/ | /R/ | /K/ | /K/ | /R/ | /IA/ | /R/ | /K/ |
| Lane 1           | /d/ | /d <sub>c</sub> / | /dt/ | /IA/ | /R/ | /K/ | /K/ | /R/ | /R/ | /K/ | /K/ | /K/ | /K/ | /R/ | /R/ | /K/ | /R/ | /K/ | /K/ | /R/ | /IA/ | /R/ | /K/ |
| Lane 2           | /d/ | /d <sub>c</sub> / | /dt/ | /IA/ | /R/ | /K/ | /K/ | /R/ | /R/ | /K/ | /K/ | /K/ | /K/ | /R/ | /R/ | /K/ | /R/ | /K/ | /K/ | /R/ | /IA/ | /R/ | /K/ |
| Lane 3           | /d/ | /d <sub>c</sub> / | /T/  | /IA/ | /R/ | /K/ | /K/ | /R/ | /R/ | /K/ | /K/ | /K/ | /K/ | /R/ | /R/ | /K/ | /R/ | /K/ | /K/ | /R/ | /IA/ | /R/ | /K/ |
| A_CNT            | x   | x                 | 0    | 16   | 15  | 14  | 13  | 12  | 11  | 10  | 9   | 8   | 7   | 6   | 5   | 4   | 3   | 2   | 1   | 0   | N    | N-1 | N-2 |

The ||A|| is transmitted as the first column after a Frame or Primitive Signal only if A\_CNT is zero and a ||A|| was not transmitted after the last Frame or ||P||. If A\_CNT is non-zero, a ||K|| column will be transmitted.

**D.3 PCS receive state diagram**

The PCS Receive State Diagram in 10GbE [13] benefits from additional explanation below.

A RESET signal or the four lane PCS receivers not aligned forces the LOCAL\_FAULT\_INDICATE state to be executed and ||LF|| on the XGMII receive data path.

When the RESET signal is false and the PCS lanes aligned, PCS data is received in either the DATA\_MODE or IDLE\_MODE states. The RECEIVE block connects these two states in zero time.

When either ||A||, ||K|| or ||R|| is received on the 8B/10B PCS, the XGMII receive data path will receive an ||IDLE|| (k07 - k07 - k07 - k07) in the IDLE\_MODE state.

When anything other than ||I|| is received on the 8B/10B PCS, the XGMII receive data path will receive the decoded value.

**D.3.1 Reception Error**

Characters received with disparity errors or code violations are replaced with /E/ in the same lane and same column in which the error is detected. Any propagated running disparity error is always terminated upon reception of a valid special character (K-character). Once generated, an /E/ is forwarded to the XGMII receive path. A description of the check\_end function in 10GbE [13] that is relevant to 10GFC operation follows:

- a) The purpose of check-end is to enhance the error detection capability of the DECODE function to indicate /E/ if a running disparity error was propagated to any Idle code-groups in ||T|| for 10GbE [13], or to the column following ||T||;
- b) /E/ replaces the character in ||T|| in Lanes 0, 1 and 2 in every lane for which a running disparity error is propagated to and terminated by the column following ||T||;

- c) /E/ replaces the character in ||T|| in Lanes 0, 1 and 2 in every lane for which the column after ||T|| is not /A/ or /K/;
- d) It is recommended the check\_end be extended in the future to be used by 10GFC to enhance the error detection of the DECODE function following a ||P|| or ||Q|| in the same manner described above for ||T||. A disparity error within the data portion of ||P|| or ||Q|| does not invalidate the primitive currently.

**D.3.2 Primitive sequence ||Q|| and primitive signal ||P|| reception**

Either a ||P|| or ||Q|| is decoded while in the DATA\_MODE. Receiving a ||T|| does not change the state, only an ||IDLE|| does. The example in table D.2 shows the transmission of two R\_RDY Primitive Signals (K28.2 - D21.4 - D10.2 - D10.2).

**Table D.2 – Primitive signal transmission**

| XGMII (transmit) |     |                   |      |     |     |         |     |     |         |     |     |     |     |     |     |     |     |     |     |     |
|------------------|-----|-------------------|------|-----|-----|---------|-----|-----|---------|-----|-----|-----|-----|-----|-----|-----|-----|-----|-----|-----|
| Lane 0           | d   | d <sub>c</sub>    | dt   | I   | I   | K28.2   | I   | I   | K28.2   | I   | I   | I   | I   | I   | I   | I   | I   | I   | ... |     |
| Lane 1           | d   | d <sub>c</sub>    | dt   | I   | I   | D21.4   | I   | I   | D21.4   | I   | I   | I   | I   | I   | I   | I   | I   | I   | ... |     |
| Lane 2           | d   | d <sub>c</sub>    | dt   | I   | I   | D10.2   | I   | I   | D10.2   | I   | I   | I   | I   | I   | I   | I   | I   | I   | ... |     |
| Lane 3           | d   | d <sub>c</sub>    | T    | I   | I   | D10.2   | I   | I   | D10.2   | I   | I   | I   | I   | I   | I   | I   | I   | I   | ... |     |
| 8B/10B PCS       |     |                   |      |     |     |         |     |     |         |     |     |     |     |     |     |     |     |     |     |     |
| Lane 0           | /d/ | /d <sub>c</sub> / | /dt/ | /A/ | /R/ | /K28.2/ | /K/ | /R/ | /K28.2/ | /K/ | /R/ | /K/ | /K/ | /R/ | /K/ | /R/ | /R/ | /K/ | /K/ | ... |
| Lane 1           | /d/ | /d <sub>c</sub> / | /dt/ | /A/ | /R/ | /D21.4/ | /K/ | /R/ | /D21.4/ | /K/ | /R/ | /K/ | /K/ | /R/ | /K/ | /R/ | /R/ | /K/ | /K/ | ... |
| Lane 2           | /d/ | /d <sub>c</sub> / | /dt/ | /A/ | /R/ | /D10.2/ | /K/ | /R/ | /D10.2/ | /K/ | /R/ | /K/ | /K/ | /R/ | /K/ | /R/ | /R/ | /K/ | /K/ | ... |
| Lane 3           | /d/ | /d <sub>c</sub> / | /T/  | /A/ | /R/ | /D10.2/ | /K/ | /R/ | /D10.2/ | /K/ | /R/ | /K/ | /K/ | /R/ | /K/ | /R/ | /R/ | /K/ | /K/ | ... |
| XGMII (receive)  |     |                   |      |     |     |         |     |     |         |     |     |     |     |     |     |     |     |     |     |     |
| Lane 0           | d   | d <sub>c</sub>    | dt   | I   | I   | K28.2   | I   | I   | K28.2   | I   | I   | I   | I   | I   | I   | I   | I   | I   | ... |     |
| Lane 1           | d   | d <sub>c</sub>    | dt   | I   | I   | D21.4   | I   | I   | D21.4   | I   | I   | I   | I   | I   | I   | I   | I   | I   | ... |     |
| Lane 2           | d   | d <sub>c</sub>    | dt   | I   | I   | D10.2   | I   | I   | D10.2   | I   | I   | I   | I   | I   | I   | I   | I   | I   | ... |     |
| Lane 3           | d   | d <sub>c</sub>    | T    | I   | I   | D10.2   | I   | I   | D10.2   | I   | I   | I   | I   | I   | I   | I   | I   | I   | ... |     |

The example in table D.3 shows the result of a IFG of eight columns and two R\_RDY's and a minimum frame with Idles having been removed due to XGMII and PCS translations.

NOTE – ||P|| followed immediately by another ||P|| will only occur on XGMII if the 10GFC rules are not followed but may occur at FC-2 if the Idle between ||P|| is deleted above XGMII.

**Table D.3 – Short inter-frame gap**

| XGMII (transmit) |   |                |   |   |   |   |   |   |   |   |   |   |   |    |    |    |    |    |    |    |    |    |    |    |    |    |     |
|------------------|---|----------------|---|---|---|---|---|---|---|---|---|---|---|----|----|----|----|----|----|----|----|----|----|----|----|----|-----|
| Lane 0           | d | d <sub>c</sub> | E | I | R | I | R | I | S | d | d | d | d | d  | d  | E  | I  | I  | R  | I  | I  | R  | I  | I  | S  | d  | ... |
| Lane 1           | d | d <sub>c</sub> | O | I | R | I | R | I | O | d | d | d | d | d  | d  | O  | I  | I  | R  | I  | I  | R  | I  | I  | O  | d  | ... |
| Lane 2           | d | d <sub>c</sub> | F | I | D | I | D | I | F | d | d | d | d | d  | d  | F  | I  | I  | D  | I  | I  | D  | I  | I  | F  | d  | ... |
| Lane 3           | d | d <sub>c</sub> | x | I | Y | I | Y | I | x | d | d | d | d | d  | d  | x  | I  | I  | Y  | I  | I  | Y  | I  | I  | x  | d  | ... |
| 8B/10B PCS       |   |                |   |   |   |   |   |   |   |   |   |   |   |    |    |    |    |    |    |    |    |    |    |    |    |    |     |
| Lane 0           | d | d <sub>c</sub> | d | A | R | K | R | K | S | d | d | d | d | d  | d  | d  | K  | R  | R  | K  | R  | R  | K  | R  | S  | d  | ... |
| Lane 1           | d | d <sub>c</sub> | d | A | R | K | R | K | d | d | d | d | d | d  | d  | d  | K  | R  | R  | K  | R  | R  | K  | R  | d  | d  | ... |
| Lane 2           | d | d <sub>c</sub> | d | A | D | K | D | K | d | d | d | d | d | d  | d  | d  | K  | R  | D  | K  | R  | D  | K  | R  | d  | d  | ... |
| Lane 3           | d | d <sub>c</sub> | T | A | Y | K | Y | K | d | d | d | d | d | d  | d  | T  | K  | R  | Y  | K  | R  | Y  | K  | R  | d  | d  | ... |
| XGMII (receive)  |   |                |   |   |   |   |   |   |   |   |   |   |   |    |    |    |    |    |    |    |    |    |    |    |    |    |     |
| Lane 0           | d | d <sub>c</sub> | E | I | R | I | R | I | S | d | d | d | d | d  | d  | E  | I  | I  | R  | I  | I  | R  | I  | I  | S  | d  | ... |
| Lane 1           | d | d <sub>c</sub> | O | I | R | I | R | I | O | d | d | d | d | d  | d  | O  | I  | I  | R  | I  | I  | R  | I  | I  | O  | d  | ... |
| Lane 2           | d | d <sub>c</sub> | F | I | D | I | D | I | F | d | d | d | d | d  | d  | F  | I  | I  | D  | I  | I  | D  | I  | I  | F  | d  | ... |
| Lane 3           | d | d <sub>c</sub> | x | I | Y | I | Y | I | x | d | d | d | d | d  | d  | x  | I  | I  | Y  | I  | I  | Y  | I  | I  | x  | d  | ... |
| columns:         |   |                |   |   | 1 | 2 | 3 | 4 | 5 | 6 | 7 | 8 | 9 | 10 | 11 | 12 | 13 | 14 | 15 | 16 | 17 | 18 | 19 | 20 | 21 | 22 |     |

Tables D.4 through D.7 illustrate some common Primitive Sequence scenarios. The examples use Fibre Channel Primitive Sequences OLS (K28.4 - D21.1 - D10.4 - D21.2), LR (K28.4 - D09.2 - D31.5 - D09.2), and LRR (K28.4 - D21.1 - D31.5 - D09.2).

**Table D.4 – 8B/10B primitive sequence start**

| XGMII (transmit) |     |                   |      |      |     |     |     |     |     |     |     |     |     |     |      |         |     |     |     |     |     |  |  |
|------------------|-----|-------------------|------|------|-----|-----|-----|-----|-----|-----|-----|-----|-----|-----|------|---------|-----|-----|-----|-----|-----|--|--|
| Lane 0           | d   | d <sub>c</sub>    | dt   | I    | I   | ... | I   | I   | O   | O   | O   | O   | O   | O   | O    | K28.4   | O   | O   | O   | O   | ... |  |  |
| Lane 1           | d   | d <sub>c</sub>    | dt   | I    | I   | ... | I   | I   | L   | L   | L   | L   | L   | L   | L    | D21.1   | L   | L   | L   | L   | ... |  |  |
| Lane 2           | d   | d <sub>c</sub>    | dt   | I    | I   | ... | I   | I   | S   | S   | S   | S   | S   | S   | S    | D10.4   | S   | S   | S   | S   | ... |  |  |
| Lane 3           | d   | d <sub>c</sub>    | T    | I    | I   | ... | I   | I   |     |     |     |     |     |     |      | D21.2   |     |     |     |     | ... |  |  |
| 8B/10B PCS       |     |                   |      |      |     |     |     |     |     |     |     |     |     |     |      |         |     |     |     |     |     |  |  |
| Lane 0           | /d/ | /d <sub>c</sub> / | /dt/ | /IA/ | /R/ | ... | /K/ | /R/ | /K/ | /R/ | /R/ | /K/ | /R/ | /K/ | /IA/ | /K28.4/ | /R/ | /K/ | /K/ | /R/ | ... |  |  |
| Lane 1           | /d/ | /d <sub>c</sub> / | /dt/ | /IA/ | /R/ | ... | /K/ | /R/ | /K/ | /R/ | /R/ | /K/ | /R/ | /K/ | /IA/ | /D21.1/ | /R/ | /K/ | /K/ | /R/ | ... |  |  |
| Lane 2           | /d/ | /d <sub>c</sub> / | /dt/ | /IA/ | /R/ | ... | /K/ | /R/ | /K/ | /R/ | /R/ | /K/ | /R/ | /K/ | /IA/ | /D10.4/ | /R/ | /K/ | /K/ | /R/ | ... |  |  |
| Lane 3           | /d/ | /d <sub>c</sub> / | /T/  | /IA/ | /R/ | ... | /K/ | /R/ | /K/ | /R/ | /R/ | /K/ | /R/ | /K/ | /IA/ | /D21.2/ | /R/ | /K/ | /K/ | /R/ | ... |  |  |
| XGMII (receive)  |     |                   |      |      |     |     |     |     |     |     |     |     |     |     |      |         |     |     |     |     |     |  |  |
| Lane 0           | d   | d <sub>c</sub>    | dt   | I    | I   | ... | I   | I   | I   | I   | I   | I   | I   | I   | I    | K28.4   | I   | I   | I   | I   | ... |  |  |
| Lane 1           | d   | d <sub>c</sub>    | dt   | I    | I   | ... | I   | I   | I   | I   | I   | I   | I   | I   | I    | D21.1   | I   | I   | I   | I   | ... |  |  |
| Lane 2           | d   | d <sub>c</sub>    | dt   | I    | I   | ... | I   | I   | I   | I   | I   | I   | I   | I   | I    | D10.4   | I   | I   | I   | I   | ... |  |  |
| Lane 3           | d   | d <sub>c</sub>    | T    | I    | I   | ... | I   | I   | I   | I   | I   | I   | I   | I   | I    | D21.2   | I   | I   | I   | I   | ... |  |  |

**Table D.5 – 8B/10B continuing primitive sequence**

| XGMII (transmit) |     |     |     |     |         |     |     |     |     |     |     |     |     |     |     |         |     |     |     |     |     |
|------------------|-----|-----|-----|-----|---------|-----|-----|-----|-----|-----|-----|-----|-----|-----|-----|---------|-----|-----|-----|-----|-----|
| Lane 0           | O   | O   | O   | O   | K28.4   | O   | O   | O   | O   | O   | ... | O   | O   | O   | O   | K28.4   | O   | O   | O   | O   | ... |
| Lane 1           | L   | L   | L   | L   | D21.1   | L   | L   | L   | L   | L   | ... | L   | L   | L   | L   | D21.1   | L   | L   | L   | L   | ... |
| Lane 2           | S   | S   | S   | S   | D10.4   | S   | S   | S   | S   | S   | ... | S   | S   | S   | S   | D10.4   | S   | S   | S   | S   | ... |
| Lane 3           |     |     |     |     | D21.2   |     |     |     |     |     | ... |     |     |     |     | D21.2   |     |     |     |     | ... |
| 8B/10B PCS       |     |     |     |     |         |     |     |     |     |     |     |     |     |     |     |         |     |     |     |     |     |
| Lane 0           | /K/ | /R/ | /K/ | /A/ | /K28.4/ | /R/ | /K/ | /R/ | /R/ | /K/ | ... | /R/ | /K/ | /R/ | /A/ | /K28.4/ | /R/ | /K/ | /R/ | /K/ | ... |
| Lane 1           | /K/ | /R/ | /K/ | /A/ | /D21.1/ | /R/ | /K/ | /R/ | /R/ | /K/ | ... | /R/ | /K/ | /R/ | /A/ | /D21.1/ | /R/ | /K/ | /R/ | /K/ | ... |
| Lane 2           | /K/ | /R/ | /K/ | /A/ | /D10.4/ | /R/ | /K/ | /R/ | /R/ | /K/ | ... | /R/ | /K/ | /R/ | /A/ | /D10.4/ | /R/ | /K/ | /R/ | /K/ | ... |
| Lane 3           | /K/ | /R/ | /K/ | /A/ | /D21.2/ | /R/ | /K/ | /R/ | /R/ | /K/ | ... | /R/ | /K/ | /R/ | /A/ | /D21.2/ | /R/ | /K/ | /R/ | /K/ | ... |
| XGMII (receive)  |     |     |     |     |         |     |     |     |     |     |     |     |     |     |     |         |     |     |     |     |     |
| Lane 0           |     |     |     |     | K28.4   |     |     |     |     |     | ... |     |     |     |     | K28.4   |     |     |     |     | ... |
| Lane 1           |     |     |     |     | D21.1   |     |     |     |     |     | ... |     |     |     |     | D21.1   |     |     |     |     | ... |
| Lane 2           |     |     |     |     | D10.4   |     |     |     |     |     | ... |     |     |     |     | D10.4   |     |     |     |     | ... |
| Lane 3           |     |     |     |     | D21.2   |     |     |     |     |     | ... |     |     |     |     | D21.2   |     |     |     |     | ... |

**Table D.6 – 8B/10B changing primitive sequence**

| XGMII (transmit) |     |     |     |         |     |     |     |     |     |     |     |     |     |     |       |         |     |     |     |     |
|------------------|-----|-----|-----|---------|-----|-----|-----|-----|-----|-----|-----|-----|-----|-----|-------|---------|-----|-----|-----|-----|
| Lane 0           | O   | O   | O   | K28.4   | O   | O   | O   | L   | L   | L   | L   | ... | L   | L   | L     | K28.4   | L   | L   | L   | ... |
| Lane 1           | L   | L   | L   | D21.1   | L   | L   | L   | R   | R   | R   | R   | ... | R   | R   | R     | D09.2   | R   | R   | R   | ... |
| Lane 2           | S   | S   | S   | D10.4   | S   | S   | S   |     |     |     |     | ... |     |     |       | D31.5   |     |     |     | ... |
| Lane 3           |     |     |     | D21.2   |     |     |     |     |     |     |     | ... |     |     |       | D09.2   |     |     |     | ... |
| 8B/10B PCS       |     |     |     |         |     |     |     |     |     |     |     |     |     |     |       |         |     |     |     |     |
| Lane 0           | /R/ | /K/ | /A/ | /K28.4/ | /R/ | /K/ | /R/ | /R/ | /K/ | /R/ | /K/ | ... | /K/ | /R/ | /A/   | /K28.4/ | /R/ | /R/ | /K/ | ... |
| Lane 1           | /R/ | /K/ | /A/ | /D21.1/ | /R/ | /K/ | /R/ | /R/ | /K/ | /R/ | /K/ | ... | /K/ | /R/ | /A/   | /D09.2/ | /R/ | /R/ | /K/ | ... |
| Lane 2           | /R/ | /K/ | /A/ | /D10.4/ | /R/ | /K/ | /R/ | /R/ | /K/ | /R/ | /K/ | ... | /K/ | /R/ | /A/   | /D31.5/ | /R/ | /R/ | /K/ | ... |
| Lane 3           | /R/ | /K/ | /A/ | /D21.2/ | /R/ | /K/ | /R/ | /R/ | /K/ | /R/ | /K/ | ... | /K/ | /R/ | /A/   | /D09.2/ | /R/ | /R/ | /K/ | ... |
| XGMII (receive)  |     |     |     |         |     |     |     |     |     |     |     |     |     |     |       |         |     |     |     |     |
| Lane 0           |     |     |     | K28.4   |     |     |     |     |     |     | ... |     |     |     | K28.4 |         |     |     | ... |     |
| Lane 1           |     |     |     | D21.1   |     |     |     |     |     |     | ... |     |     |     | D09.2 |         |     |     | ... |     |
| Lane 2           |     |     |     | D10.4   |     |     |     |     |     |     | ... |     |     |     | D31.5 |         |     |     | ... |     |
| Lane 3           |     |     |     | D21.2   |     |     |     |     |     |     | ... |     |     |     | D09.2 |         |     |     | ... |     |

**D.3.3 Idle pattern reception**

When ||A||, ||R||, or ||K|| is received from 8B/10B PCS, it is translated to an Idle (k07 - k07 - k07 - k07) on the XGMII Receive interface. A Primitive Signal (||P||) or Primitive Sequence (||Q||) may be embedded in the Idle stream. These are decoded column by column and passed on the XGMII interface.

1  
2  
3  
4  
5  
6  
7  
8  
9  
10  
11  
12  
13  
14  
15  
16  
17  
18  
19  
20  
21  
22  
23  
24  
25  
26  
27  
28  
29  
30  
31  
32  
33  
34  
35  
36  
37  
38  
39  
40  
41  
42  
43  
44  
45  
46  
47  
48  
49  
50  
51  
52  
53  
54  
55



**Table D.7 – 8B/10B ending primitive sequence**

| XGMII (transmit) |     |     |     |     |         |     |     |     |     |     |     |     |     |     |     |     |     |     |     |     |     |     |
|------------------|-----|-----|-----|-----|---------|-----|-----|-----|-----|-----|-----|-----|-----|-----|-----|-----|-----|-----|-----|-----|-----|-----|
| Lane 0           | L   | L   | I   | I   | /k07/   | I   | I   | I   | I   | I   | I   | I   | I   | ... | I   | I   | I   | I   | I   | ... |     |     |
| Lane 1           | R   | R   | I   | I   | /k07/   | I   | I   | I   | I   | I   | I   | I   | I   | ... | I   | I   | I   | I   | I   | ... |     |     |
| Lane 2           | R   | R   | I   | I   | /k07/   | I   | I   | I   | I   | I   | I   | I   | I   | ... | I   | I   | I   | I   | I   | ... |     |     |
| Lane 3           |     |     | I   | I   | /k07/   | I   | I   | I   | I   | I   | I   | I   | I   | ... | I   | I   | I   | I   | I   | ... |     |     |
| 8B/10B PCS       |     |     |     |     |         |     |     |     |     |     |     |     |     |     |     |     |     |     |     |     |     |     |
| Lane 0           | /K/ | /R/ | /K/ | /A/ | /K28.4/ | /R/ | /K/ | /R/ | /K/ | /R/ | /K/ | /R/ | /K/ | ... | /R/ | /K/ | /R/ | /A/ | /R/ | /K/ | /K/ | ... |
| Lane 1           | /K/ | /R/ | /K/ | /A/ | /D21.1/ | /R/ | /K/ | /R/ | /K/ | /R/ | /K/ | /R/ | /K/ | ... | /R/ | /K/ | /R/ | /A/ | /R/ | /K/ | /K/ | ... |
| Lane 2           | /K/ | /R/ | /K/ | /A/ | /D31.5/ | /R/ | /K/ | /R/ | /K/ | /R/ | /K/ | /R/ | /K/ | ... | /R/ | /K/ | /R/ | /A/ | /R/ | /K/ | /K/ | ... |
| Lane 3           | /K/ | /R/ | /K/ | /A/ | /D09.2/ | /R/ | /K/ | /R/ | /K/ | /R/ | /K/ | /R/ | /K/ | ... | /R/ | /K/ | /R/ | /A/ | /R/ | /K/ | /K/ | ... |
| XGMII (receive)  |     |     |     |     |         |     |     |     |     |     |     |     |     |     |     |     |     |     |     |     |     |     |
| Lane 0           | I   | I   | I   | I   | /K28.4/ | I   | I   | I   | I   | I   | I   | I   | I   | ... | I   | I   | I   | I   | I   | I   | ... |     |
| Lane 1           | I   | I   | I   | I   | /D21.1/ | I   | I   | I   | I   | I   | I   | I   | I   | ... | I   | I   | I   | I   | I   | I   | ... |     |
| Lane 2           | I   | I   | I   | I   | /D31.5/ | I   | I   | I   | I   | I   | I   | I   | I   | ... | I   | I   | I   | I   | I   | I   | ... |     |
| Lane 3           | I   | I   | I   | I   | /D09.2/ | I   | I   | I   | I   | I   | I   | I   | I   | ... | I   | I   | I   | I   | I   | I   | ... |     |

With multiple minimum frames and IFG, it is possible that the ||A|| is not included within an IFG. An EOF will normally be followed by a ||K|| column when there are less than 17 columns since the last ||A||. The placement of the ||A|| will depend on randomization, when the last ||A|| was sent and the actual number of idles between frames, which can vary based on clock frequency mismatch. An example is shown in table D.8. Also ||K|| is sent after ||T|| if ||A|| was sent after the previous ||T||, even if A\_CNT= 0 at ||T||.

**Table D.8 – Minimal frame idle pattern generation**

| XGMII (transmit) |          |   |   |   |   |   |   |                |          |    |    |    |    |    |    |          |   |   |   |   |   |   |          |     |   |   |   |     |
|------------------|----------|---|---|---|---|---|---|----------------|----------|----|----|----|----|----|----|----------|---|---|---|---|---|---|----------|-----|---|---|---|-----|
| Lane 0           | S        | d | d | d | d | d | d | d <sub>c</sub> | E        | I  | I  | I  | I  | I  | S  | d        | d | d | d | d | E | I | I        | ... |   |   |   |     |
| Lane 1           | O        | d | d | d | d | d | d | d <sub>c</sub> | O        | I  | I  | I  | I  | I  | O  | d        | d | d | d | d | O | I | I        | ... |   |   |   |     |
| Lane 2           | F        | d | d | d | d | d | d | d <sub>c</sub> | F        | I  | I  | I  | I  | I  | F  | d        | d | d | d | d | F | I | I        | ... |   |   |   |     |
| Lane 3           | x        | d | d | d | d | d | d | d <sub>c</sub> | x        | I  | I  | I  | I  | I  | x  | d        | d | d | d | d | x | I | I        | ... |   |   |   |     |
| 8B/10B PCS       |          |   |   |   |   |   |   |                |          |    |    |    |    |    |    |          |   |   |   |   |   |   |          |     |   |   |   |     |
| Lane 0           | <b>S</b> | d | d | d | d | d | d | d <sub>c</sub> | <b>d</b> | A  | R  | K  | K  | R  | R  | <b>S</b> | d | d | d | d | d | d | <b>d</b> | K   | R | A | R |     |
| Lane 1           | <b>d</b> | d | d | d | d | d | d | d <sub>c</sub> | <b>d</b> | A  | R  | K  | K  | R  | R  | <b>d</b> | d | d | d | d | d | d | <b>d</b> | K   | R | A | R |     |
| Lane 2           | <b>d</b> | d | d | d | d | d | d | d <sub>c</sub> | <b>d</b> | A  | R  | K  | K  | R  | R  | <b>d</b> | d | d | d | d | d | d | <b>d</b> | K   | R | A | R |     |
| Lane 3           | <b>d</b> | d | d | d | d | d | d | d <sub>c</sub> | <b>T</b> | A  | R  | K  | K  | R  | R  | <b>d</b> | d | d | d | d | d | d | <b>T</b> | K   | R | A | R |     |
| A_CNT            | x        | x | x | x | x | x | x | x              | 0        | 16 | 15 | 14 | 13 | 12 | 11 | 10       | 9 | 8 | 7 | 6 | 5 | 4 | 3        | 2   | 1 | 0 | N | N-1 |

1  
2  
3  
4  
5  
6  
7  
8  
9  
10  
11  
12  
13  
14  
15  
16  
17  
18  
19  
20  
21  
22  
23  
24  
25  
26  
27  
28  
29  
30  
31  
32  
33  
34  
35  
36  
37  
38  
39  
40  
41  
42  
43  
44  
45  
46  
47  
48  
49  
50  
51  
52  
53  
54  
55



This stresses the timing margins in the received eye. The following pattern is intended for receive jitter compliance testing.

NOTE – The basis of this pattern may be found in INCITS TR-25:1999, “Methodology of Jitter Specification”. This Annex uses similar modifications to fit the JTPAT test pattern into an 802.3 frame.

The continuous jitter test pattern consists of a continuous stream of identical frames, separated by a minimum Inter Frame Gap (IFG). Each frame is encapsulated within delimiters as specified in clause 9 in the ordinary way. The contents of each frame is composed of the following octet sequences, as observed at the XGMII, before 8B/10B coding.

Each frame in the continuous jitter test pattern consists of four SOF characters, followed by 1504 data characters, four CRC characters, four EOF characters, followed by a minimum IFG of 24 Idle characters. The frame format is specified in table E.1.

Table E.1 depicts 10-bit encodings for CJPAT. This is the encoding which will occur when each lane has negative disparity before the Start column. The actual 10-bit encoding sent when CJPAT is transmitted will be one of 16 encodings depending upon the disparity of each lane at the beginning of the packet. CJPAT has been designed to produce the same disparity on each lane after the Terminate column as that lane had before the Start column. When CJPAT is sent continuously, two of the sixteen possible encodings may occur because Idle may either leave the disparity the same or flip the disparity on all lanes.

1  
2  
3  
4  
5  
6  
7  
8  
9  
10  
11  
12  
13  
14  
15  
16  
17  
18  
19  
20  
21  
22  
23  
24  
25  
26  
27  
28  
29  
30  
31  
32  
33  
34  
35  
36  
37  
38  
39  
40  
41  
42  
43  
44  
45  
46  
47  
48  
49  
50  
51  
52  
53  
54  
55



1  
2  
3  
4  
5  
6  
7  
8  
9  
10  
11  
12  
13  
14  
15  
16  
17  
18  
19  
20  
21  
22  
23  
24  
25  
26  
27  
28  
29  
30  
31  
32  
33  
34  
35  
36  
37  
38  
39  
40  
41  
42  
43  
44  
45  
46  
47  
48  
49  
50  
51  
52  
53  
54  
55